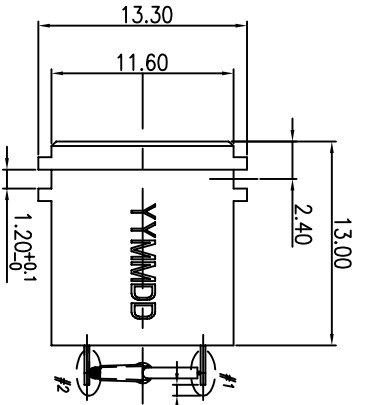
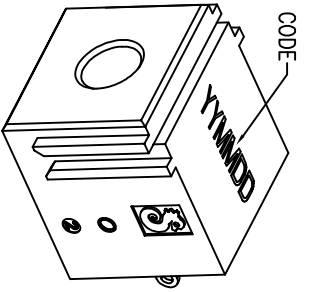


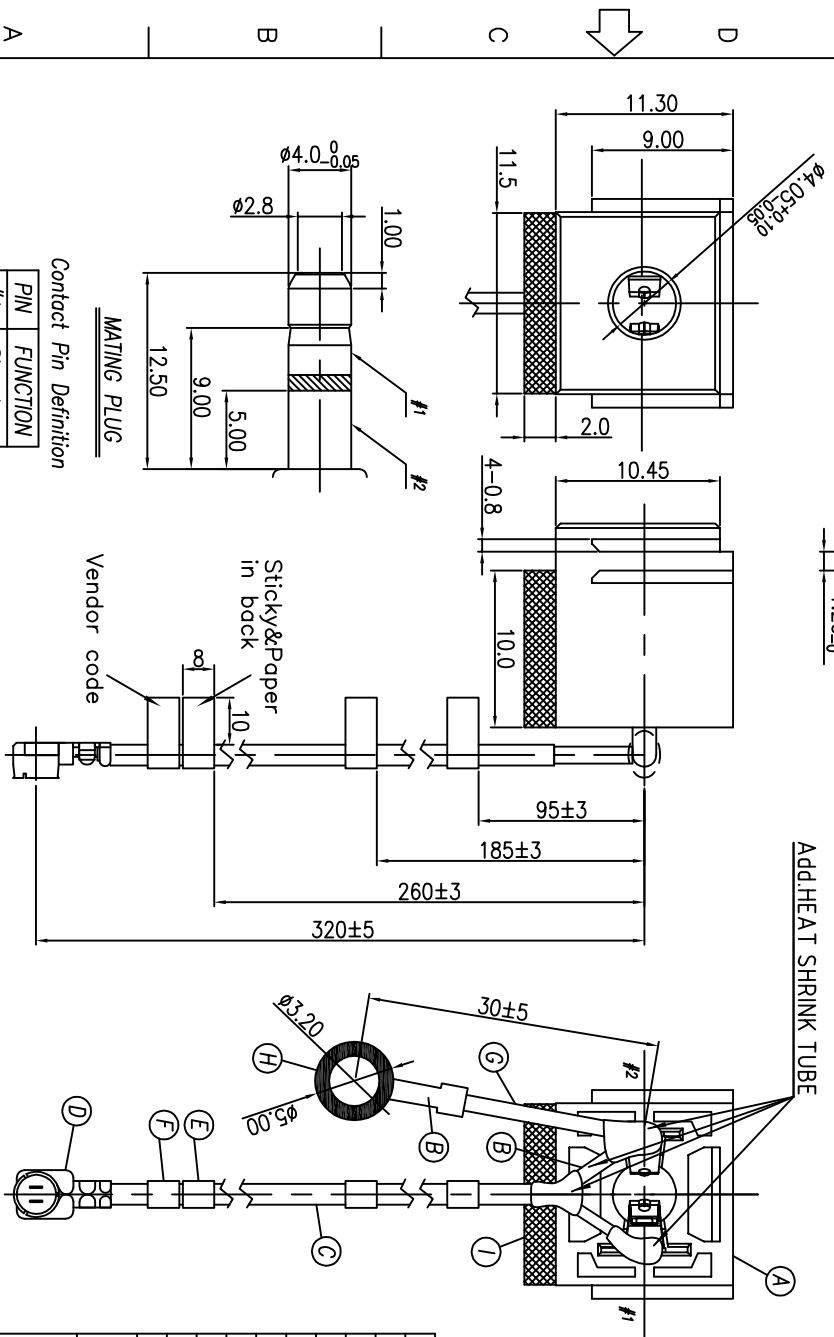
REV.	ECN NO OR DESCRIPTION	REVISED	DATE
A	PDR NO.:T081104-3A	JEFF	2009.04.02



GLUED AREA x2  
ADD:HEAT SHRINK TUBE x2

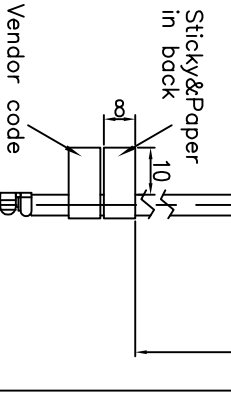
SPECIFICATIONS: (For FM Jack)

- ELECTRICAL CHARACTERISTICS:
  - RATING: 12V 1A
  - CONTACT RESISTANCE: 50mΩ MAX.
  - DIELECTRIC WITHSTANDING VOLTAGE: 250V AC FOR ONE MINUTE
  - INSULATION RESISTANCE: 100MΩ MIN. MEASURED BY 500 VDC
- MECHANICAL CHARACTERISTICS:
  - INSERTION FORCE : 0.7~3.0 KGF
  - WITHDRAWAL FORCE : 0.7~3.0 KGF
- LIFE TEST: 5,000 CYCLES MIN.
- OTHER GENERAL SPEC. TO REFER "2AJ1000 SERIES SPEC".
- TO CONFORM TO SINGATRON HAZARDOUS SUBSTANCE FREE SPEC.
- HALOGEN FREE PRODUCT IDENTIFICATION MARK ON JACK: ©
- HALOGEN FREE PRODUCT IDENTIFICATION LABEL ON PACKAGING:



CONTACT PIN DEFINITION

PIN	FUNCTION
#1	Signal
#2	Ground



NO	DESCRIPTION	QTY	MATERIAL	PLATING & COLOR
I	FOAM RUBBER	1	11.5x10mm T=2mm	BLACK COLOR
H	CIRCLE TERMINAL	1	OD: 5 ; ID: 3.2	SILVER COLOR
G	WIRE	1	UL10368 24AWG	BLACK COLOR
F	Vendor code	1	Key word "ST-SIT"	
E	CONDUCTOR ADHESIVE	3	W=10mm T=0.11mm	BLACK COLOR
D	Micro Coaxial Conn.	1	UL 94V-0	
C	WIRE	1	φ1.13 Coaxial Cable	GREY COLOR
B	HEAT SHRINK TUBE	6	φ3.0	BLACK COLOR
A	FM JACK	1	2AJ1000-002111	BLACK COLOR
NO	DESCRIPTION	QTY	MATERIAL	PLATING & COLOR

Singatron Enterprise Co., Ltd.  
信音企業股份有限公司

FM JACK+WIRE

TITLE	FM JACK+WIRE
DWN JEFF 2009.4.3	PART NO: 2AJ1000-008111
CHKD ANEJA 2009.4.3	SCALE 3:1 UNIT: mm
APVD JAK-400	SIZE: A3 SHEET: 10F1 REV: A

CUSTOMER COPY