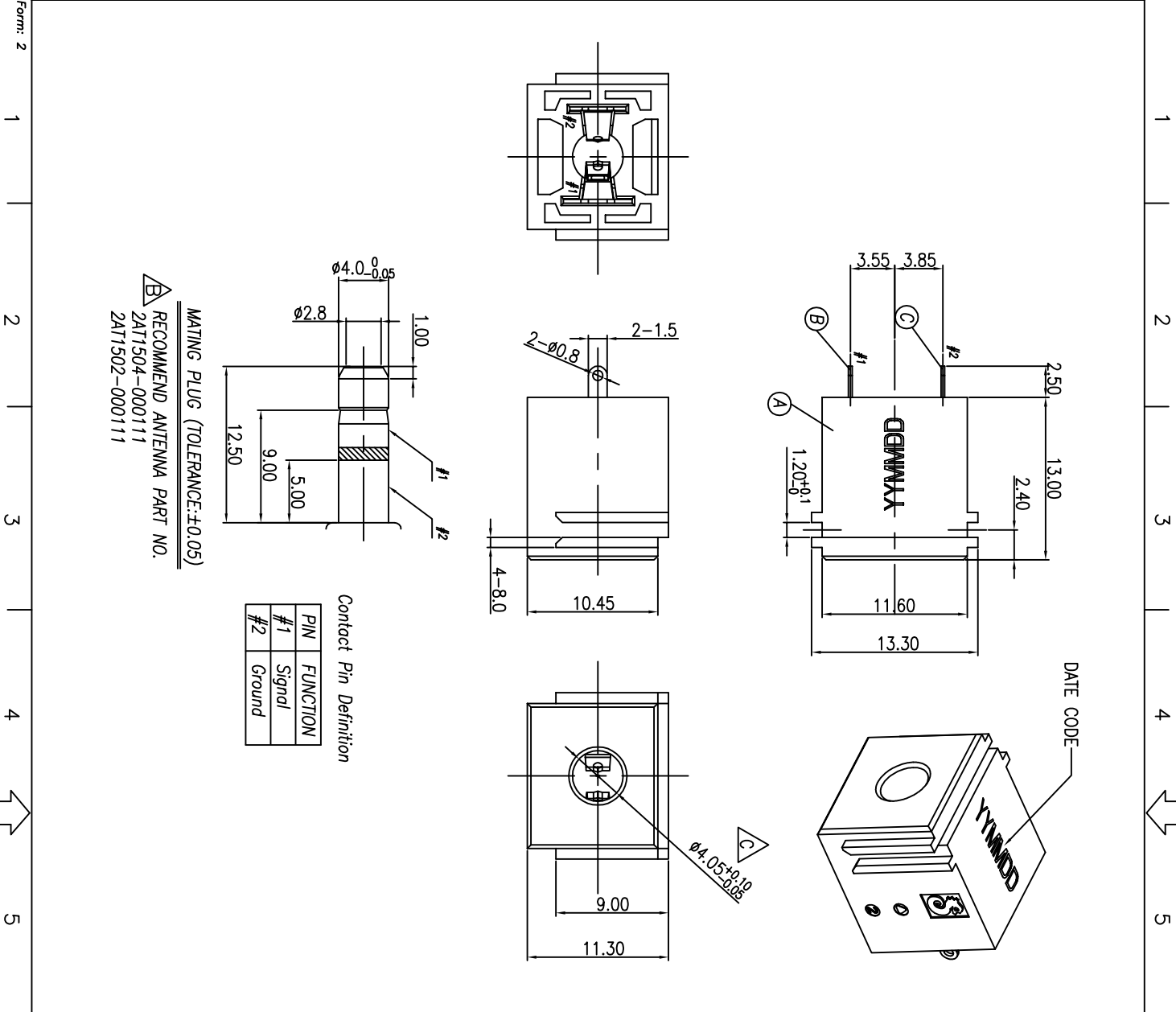


F E D C B A



Contact Pin Definition

PIN	FUNCTION
#1	Signal
#2	Ground

MATING PLUG (TOLERANCE:±0.05)
 RECOMMEND ANTENNA PART NO.
 2A11504-000111
 2A11502-000111

REV.	ECN NO OR DESCRIPTION	REVISED	DATE
A	PRODUCT RELEASE	LAO	2008.01.09
B	ECN NO:1080026 Added Mating Antenna P/N	LAO	2008.02.27
C	ECN NO:1080178	AMY	2008.09.18

SPECIFICATIONS:

- ELECTRICAL CHARACTERISTICS:
 - RATING: 12V 1A
 - CONTACT RESISTANCE: 50mΩ MAX.
 - DIELECTRIC WITHSTANDING VOLTAGE: 250V AC FOR ONE MINUTE
 - INSULATION RESISTANCE: 100MΩ MIN. MEASURED BY 500 VDC
- MECHANICAL CHARACTERISTICS:
 - INSERTED FORCE : 0.7~3.0 Kgf
 - WITHDRAWAL FORCE : 0.7~3.0 Kgf
- LIFE TEST: 5,000 CYCLES MIN.
- OTHER GENERAL SPEC. TO REFER "2A11000 SERIES SPEC."
- TO CONFORM TO THE SINGATRON HSF SPEC.
- GREEN PRODUCT IDENTIFICATION MARK ON JACK: **G.P. PASS**
- GREEN PRODUCT IDENTIFICATION LABEL ON PACKAGING: **G.P. PASS**

P/N RULE
 2A11000-001111

CONTACT PLATING: 1.GOLD FLASH 1u"~3u"
 NICKEL UNDERPLATING
 PACKING: 1.SMALL CARTON BOX
 BODY COLOR: 1.BLACK

C	CONTACT-2	1	COPPER ALLOY 0.3t	GOLD FLASH
B	CONTACT-1	1	COPPER ALLOY 0.3t	GOLD FLASH
A	BODY	1	THERMOPLASTIC UL 94V-0	BLACK COLOR
NO	DESCRIPTION	QTY	MATERIAL	PLATING & COLOR

UNLESS OTHERWISE SPECIFIED TOLERANCES

DECIMALS:	ANGLES:
X :±0.5	X :±2°
X.X :±0.3	X.X :±1°
X.XX :±0.2	

TITLE	ANTENNA JACK
DWN: MW 2008.8.18	PART NO: 2A11000-001111
CHKD: LW 2008.8.18	SCALE 3:1 UNIT: mm
APVD: MW 4 2008.8.18	SIZE: A3 SHEET: 10F1 REV: C

CUSTOMER COPY

Singatron Enterprise Co., Ltd.
 信音企業股份有限公司

Form: 2 1 2 3 4 5 6 7 8 文#總: 06-04-4