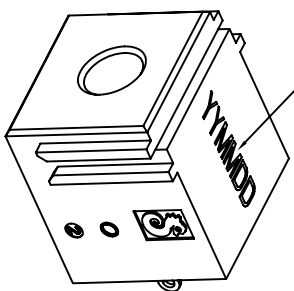
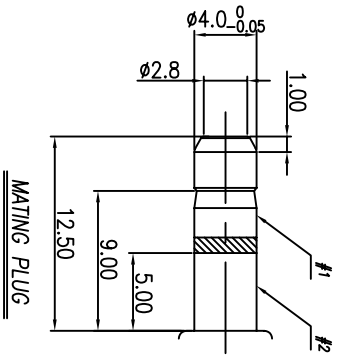
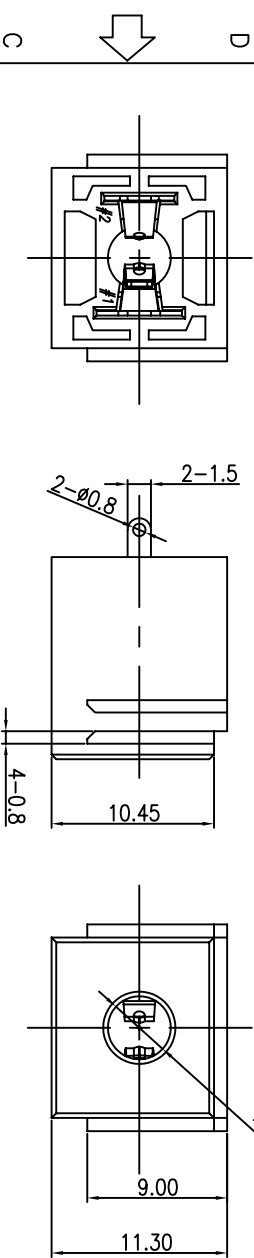
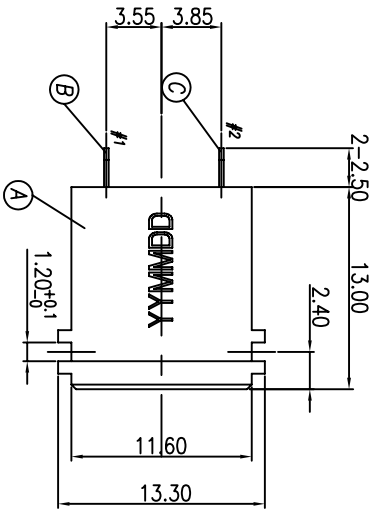


REV.	ECN NO OR DESCRIPTION	REVISED	DATE
B	ECN NO. T080178	AMY	2008.09.18
C	ECN NO. S081019	SKY	2008.10.28
D	ECN NO. T080204	LIL	2008.12.29



DATE CODE



Contact Pin Definition

PIN	FUNCTION
#1	Signal
#2	Ground

SPECIFICATIONS:

- ELECTRICAL CHARACTERISTICS:
 - RATING: 12V 1A
 - CONTACT RESISTANCE: 50mΩ MAX.
 - DIELECTRIC WITHSTANDING VOLTAGE: 250V AC FOR ONE MINUTE
 - INSULATION RESISTANCE: 100MΩ MIN. MEASURED BY 500 VDC
- MECHANICAL CHARACTERISTICS:
 - INSERTION FORCE : 0.7~3.0 KGF
 - WITHDRAWAL FORCE : 0.7~3.0 KGF
- LIFE TEST: 5,000 CYCLES MIN.
- OTHER GENERAL SPEC. TO REFER "2AJ1000 SERIES SPEC."
- TO CONFORM TO SINGATRON HAZARDOUS SUBSTANCE FREE SPEC.
- HALOGEN FREE PRODUCT IDENTIFICATION MARK ON PRODUCT:
- HALOGEN FREE PRODUCT IDENTIFICATION LOGO ON PACKING:

NO	DESCRIPTION	QTY	MATERIAL	PLATING & COLOR
C	CONTACT-2	1	COPPER ALLOY 0.3t	GOLD FLASH OVER N' 60u"
B	CONTACT-1	1	COPPER ALLOY 0.3t	GOLD FLASH OVER N' 60u"
A	BODY	1	THERMOPLASTIC UL 94V-0	BLACK

UNLESS OTHERWISE SPECIFIED TOLERANCES

DECIMALS:	ANGLES:
X :±0.5	X :±2°
X.X :±0.3	X.X :±1°
X.XX :±0.2	

TITLE	ANTENNA JACK
DWN	UL 2008.12.29
CHKD	License 2008.12.29
APVD	Ww 2008.12.29

Singatron Enterprise Co., Ltd.
信音企業股份有限公司

PART NO: 2AJ1000-002111
SCALE 4:1 UNIT: mm
SIZE: A3 SHEET: 10F1 REV: D

CUSTOMER COPY