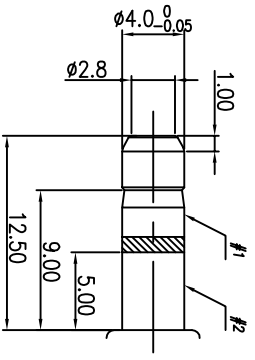


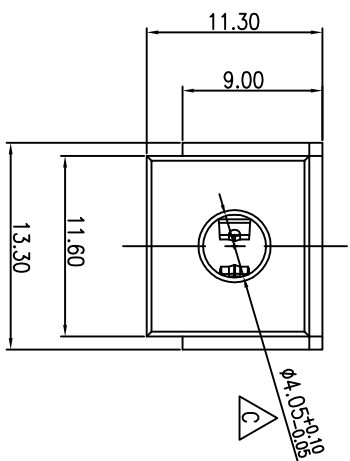
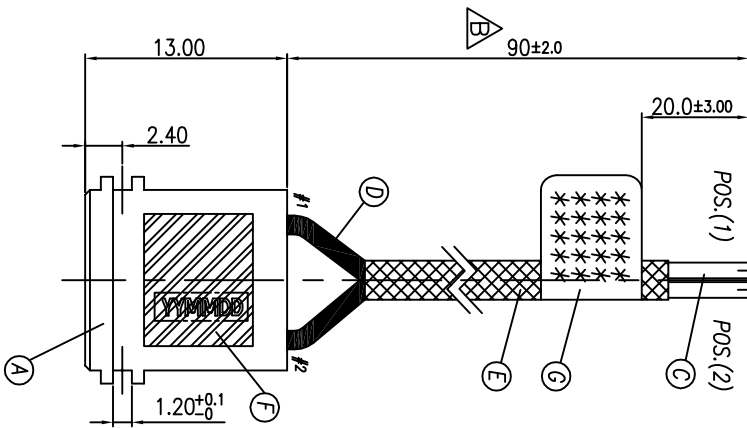
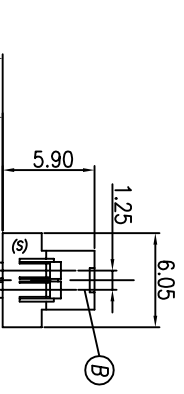
WIRE DIAGRAM			
ANTENNA JACK	FUNCTION	WIRE COLOR	HOUSING
#1	SIGNAL	RED	POS (1)
#2	GROUND	BLACK	POS (2)

JSRAA FM Tuner Cable
DC301004700 REV:1.0
SINGATRON
DATE CODE: YYMMDD

△ LABEL DESCRIPTION DETAIL



MATING PLUG (TOLERANCE:±0.05)
RECOMMEND ANTENNA PART NO.
2AT1504-000111
2AT1502-000111



SPECIFICATIONS:

- ELECTRICAL CHARACTERISTICS:
 - RATING: 12V 1A
 - CONTACT RESISTANCE: 100mΩ MAX.
 - DIELECTRIC WITHSTANDING VOLTAGE: 250V AC FOR ONE MINUTE.
 - INSULATION RESISTANCE: 100MΩ MIN. MEASURED BY 500 VDC.
- MECHANICAL CHARACTERISTICS:
 - INSERTION FORCE : 0.7~3.0 Kgf.
 - WITHDRAWAL FORCE : 0.7~3.0 Kgf.
- LIFE TEST: 5,000 CYCLES MIN.
- OTHER GENERAL SPEC. TO REFER "2AW1000-002111 SPEC."
- TO CONFORM TO THE SINGATRON HAZARDOUS SUBSTANCE FREE SPEC.
- GREEN PRODUCT IDENTIFICATION MARK ON JACK:
- GREEN PRODUCT IDENTIFICATION LABEL ON PACKAGING: **G.P. PASS**
- PACKAGING: SMALL CARTON BOX.

REV.	ECN NO OR DESCRIPTION	REVISED	DATE
A	PRODUCT RELEASE	LAO	2008.05.19
B	ECN NO:T080102 ADDED THE LABEL CHANGE90±3.0 TO 90±2.0	LAO	2008.07.04
C	ECN NO:T080178	AMY	2008.09.18

G	LABEL	1	L=26mm W=13mm	WHITE COLOR
F	ADHESIVE	1	3M 467	WHITE COLOR
E	HEAR SHRINK TUBE	1	UL Ø3.0 125C	BLACK COLOR
D	HEAR SHRINK TUBE	2	UL Ø1.5 125C	BLACK COLOR
C	WIRE	2	UL1061 28AWG	SEE "WIRE DIAGRAM"
B	TERMINAL	2	PHOSPHOR BRONZE	TIN PLATED
A	2PIN HOUSING	1	THERMOPLASTIC UL 94V-0	BLACK COLOR
A	ANTENNA JACK	1	SEE P./N.2A11000-001111	BLACK COLOR
NO	DESCRIPTION	QTY	MATERIAL	PLATING & COLOR

UNLESS OTHERWISE SPECIFIED TOLERANCES

DECIMALS: ANGLES:

X :±0.5 X :±2
X.X :±0.3 X.X :±1°
X.XX :±0.2

Singatron Enterprise Co., Ltd.
 信晉企業股份有限公司

TITLE: ANTENNA JACK+WIRE

DWN: MW 2008.08 PART NO: 2AW1000-002111

CHKD: LW 2008.08 SCALE 3:1 UNIT: mm

APVD: JKC 2008.08 SIZE: A3 SHEET: 10F1 REV: C

CUSTOMER COPY