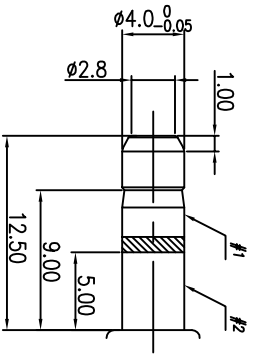
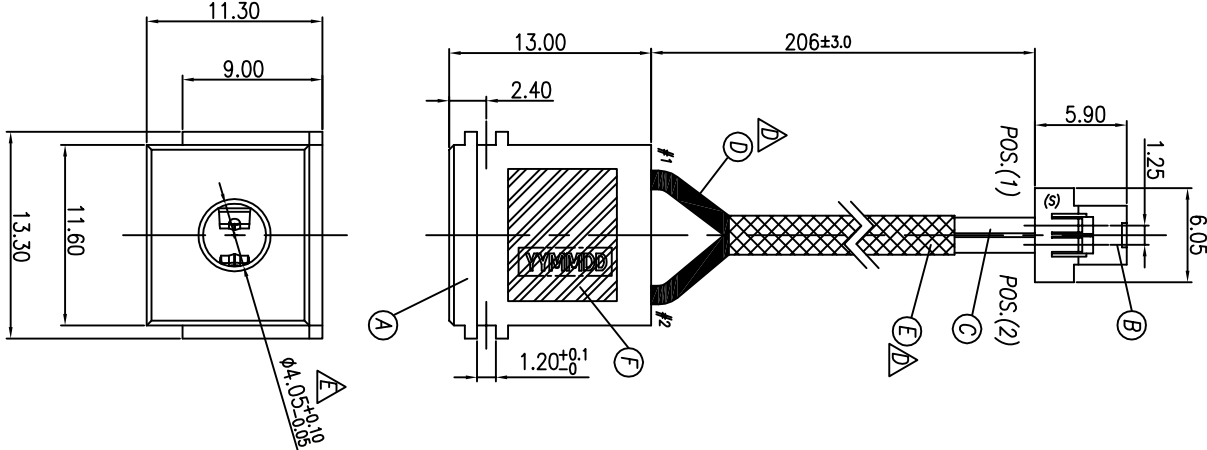


ANTENNA JACK	FUNCTION	WIRE COLOR	HOUSING
#1	SIGNAL	RED COLOR	POS.(1)
#2	GROUND	BLACK COLOR	POS.(2)

WIRE DIAGRAM



MATING PLUG (TOLERANCE:±0.05)
 RECOMMEND ANTENNA PART NO.
 2AT1504-000111
 2AT1502-000111



SPECIFICATIONS:

- ELECTRICAL CHARACTERISTICS:
 - RATING: 12V 1A
 - CONTACT RESISTANCE: 100mΩ MAX.
 - DIELECTRIC WITHSTANDING VOLTAGE: 250V AC FOR ONE MINUTE.
 - INSULATION RESISTANCE: 100MΩ MIN. MEASURED BY 500 VDC.
- MECHANICAL CHARACTERISTICS:
 - INSERTION FORCE : 0.7~3.0 Kgf.
 - WITHDRAWAL FORCE : 0.7~3.0 Kgf.
- LIFE TEST: 5,000 CYCLES MIN.
- OTHER GENERAL SPEC. TO REFER "2AW1000-002211 SPEC".
- TO CONFORM TO THE SINGATRON HSF SPEC.
- GREEN PRODUCT IDENTIFICATION MARK ON JACK:
- GREEN PRODUCT IDENTIFICATION LABEL ON PACKAGING: **G.P. PASS**
- PACKAGING: SMALL CARTON BOX.

REV.	ECN NO OR DESCRIPTION	REVISED	DATE
B	ECN NO.T080061 Correct the Sharp of Housing	LAO	2008.04.24
C	ECN NO.T080067 Modify the Quantity from 4 to 2	LAO	2008.04.30
D	ECN NO.T080091	LAO	2008.05.23
E	ECN NO.T080187	AMT	2008.09.18

F	ADHESIVE	1	3M 467	WHITE COLOR
E	HEAR SHRINK TUBE	1	UL Ø3.0 125C	BLACK COLOR
D	HEAR SHRINK TUBE	2	UL Ø1.5 125C	BLACK COLOR
C	WIRE	2	UL1061 28AWG	SEE"WIRE DIAGRAM"
B	TERMINAL	1	PHOSPHOR BRONZE	TIN PLATED
A	2PIN HOUSING	1	THERMOPLASTIC UL 94V-0	BLACK COLOR
A	ANTENNA JACK	1	SEE P./N.2A11000-001111	BLACK COLOR
NO	DESCRIPTION	QTY	MATERIAL	PLATING & COLOR

UNLESS OTHERWISE SPECIFIED TOLERANCES

Singatron Enterprise Co., Ltd.
 信晉企業股份有限公司

TITLE: ANTENNA JACK+WIRE
 DWG: 2008.9.18
 CHKD: 2008.9.18
 APVD: 2008.9.18
 PART NO: 2AW1000-002211
 SCALE 3:1 UNIT: mm
 SIZE: A3 SHEET: 10F1 REV: E
 CUSTOMER COPY