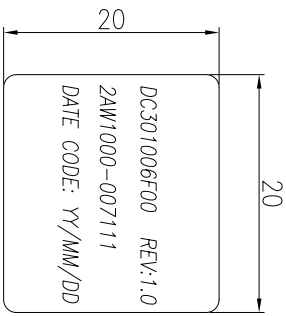
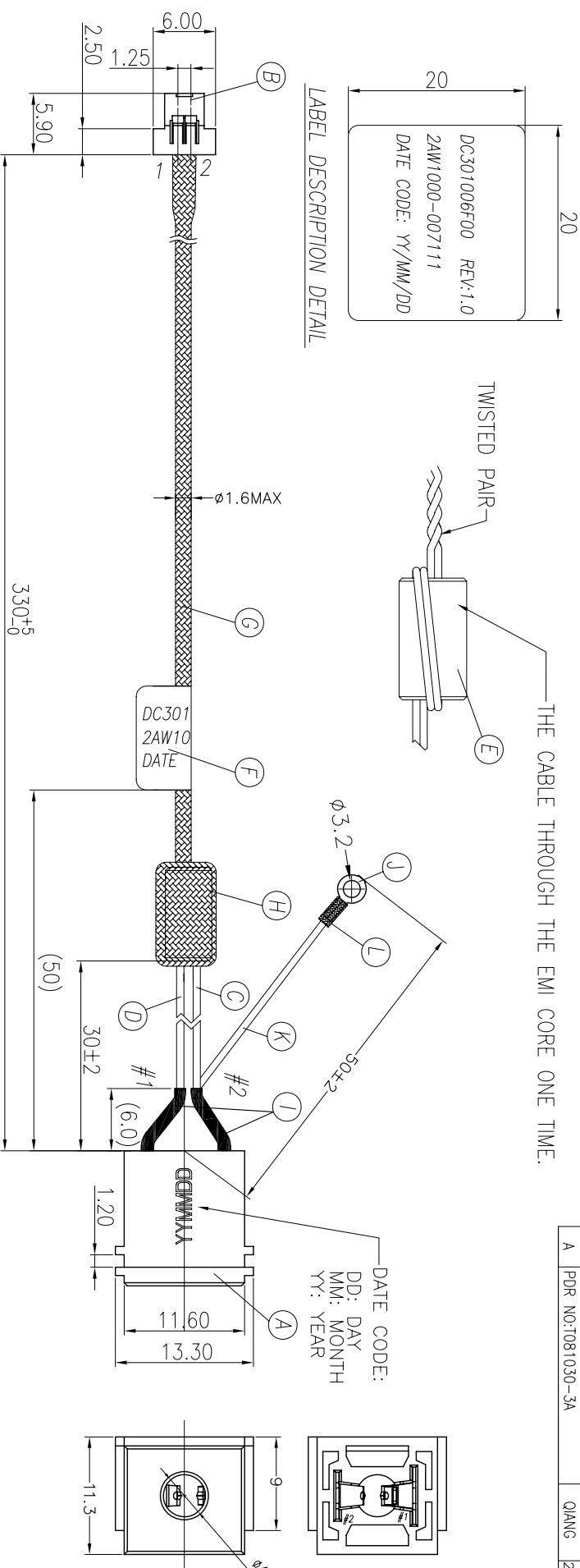
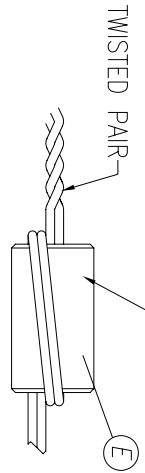


REV.	ECN NO.	OR DESCRIPTION	REVISED	DATE
A	PDR NO:1081030-3A	QIANG	2009.04.27	



LABEL DESCRIPTION DETAIL

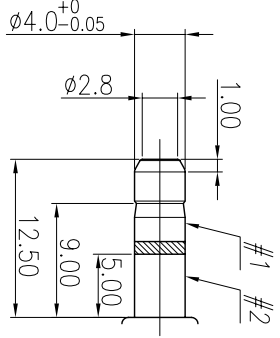


WIRE DIAGRAM

ANTENNA JACK #1	FUNCTION SIGNAL	WIRE COLOR RED	WIRE COLOR POS.(2)
ANTENNA JACK #2	FUNCTION GROUND	WIRE COLOR BLACK	WIRE COLOR POS.(1)

SPECIFICATIONS:(FOR JACK)

1. ELECTRICAL CHARACTERISTICS:
- 1-1. RATING: 12V 1A
 - 1-2. CONTACT RESISTANCE: 50m Ω MAX.
 - 1-3. DIELECTRIC WITHSTANDING VOLTAGE: 250V AC FOR ONE MINUTE.
 - 1-4. INSULATION RESISTANCE: 100MΩ MIN. MEASURED BY 500 VDC.
2. MECHANICAL CHARACTERISTICS:
- 2-1. INSERTION FORCE : 0.7~3.0 Kgf.
 - 2-2. WITHDRAWAL FORCE : 0.7~3.0 Kgf.
3. LIFE TEST: 5,000 CYCLES MIN.
4. TO CONFORM TO SINGATRON HAZARDOUS SUBSTANCE FREE SPEC.
5. HALOGEN FREE PRODUCT IDENTIFICATION MARK ON JACK:
6. HALOGEN FREE PRODUCT IDENTIFICATION LABEL ON PACKAGING:



MATING PLUG

NO	DESCRIPTION	QTY	MATERIAL	PLATING & COLOR
L	HEAT SHRINK TUBE	1	φ2.5 125C 300V	BLACK
K	WIRE	1	UL3302 28AWG 0D:0.6mm	BLACK
J	CIRCLE TERMINAL	1	BRASS 0D:5 ID:3.2 T=0.3	TIN PLATED
I	HEAT SHRINK TUBE	1	φ1.5 125C 300V	BLACK
H	HEAT SHRINK TUBE	1	φ5.0 125C 300V	BLACK
G	HEAT SHRINK TUBE	2	φ1.5 125C 300V	BLACK
F	LABEL	1	L=20mm W=20mm	WHITE
E	EMI CORE (SINCORES)	1	R5A SH5.OX3.OX9.OXG3XE1.0	BLACK
D	WIRE	1	UL3302 28AWG 0D:0.6mm	RED
C	WIRE	1	UL3302 28AWG 0D:0.6mm	BLACK
B	TERMINAL	2	PHOSPHOR BRONZE	GOLD FLUSH
A	ANTENNA JACK	1	NYLON-66 UL94V-0 (HF)	BLACK

UNLESS OTHERWISE SPECIFIED TOLERANCES

DECIMALS: ANGLES:

X : ±0.5 X : ±2°

X.X : ±0.3 X.X : ±1°

X.XX : ±0.2

Singatron Enterprise Co., Ltd.
信登企業股份有限公司

TITLE ANTENNA JACK+WIRE

DWG QIANG 2009.04.27 PART NO. 2AW1000-007111

CHKD QIANG 2009.04.27 SCALE: -- UNIT: mm

APVD MAX 2009.04.27 SIZE: A3 SHEET: 1 OF 1 REV: A

CUSTOMER COPY