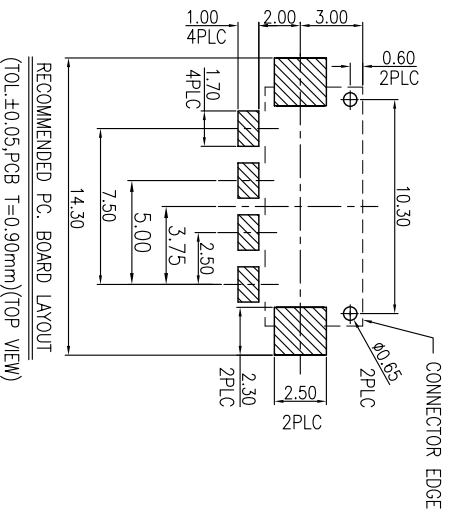
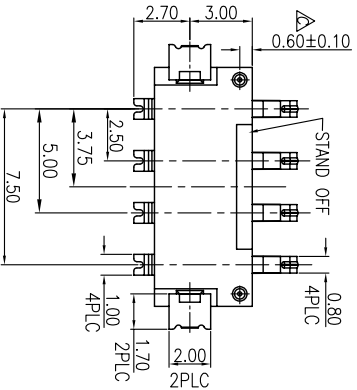
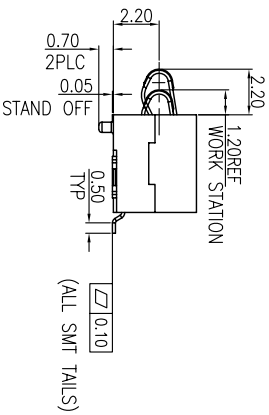
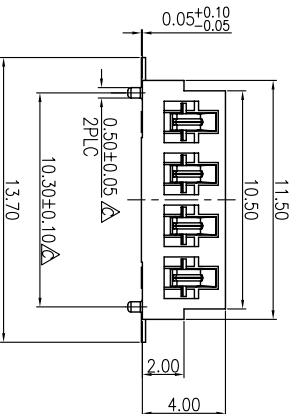
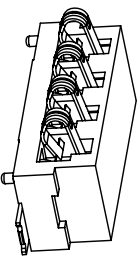
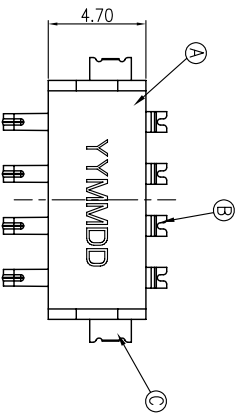


REV.	ECN NO. OR DESCRIPTION	REVISED	DATE
A	PRODUCT RELEASE	TANGHUI	2008.08.20
B	ADD HF MARK ECN NO:7080204	Steven_jiu	2008.11.17
C	Alter the dimensional tolerance ECN:C080286	Steven-Jiu	2009.02.09



- NOTE:
- MATERIAL:
HOUSING: HIGE TEMP. THERMOPLASTIC, UL94V-0, COLOR BLACK.
CONTACT: COPPER ALLOY, T=0.15;
TAB: COPPER ALLOY, T=0.20.
 - FINISH:
CONTACT:
10U" MIN GOLD PLATING ON CONTACT AREA;
1U" MIN GOLD PLATING ON SOLDER TAILS;
50U"~180U" NICKEL UNDERPLATING OVERALL.
TAB:
40U" MIN HIGH TEMP. TIN PLATING ALL OVER;
20U" MIN NICKEL UNDERPLATING OVERALL.
 - SPECIFICATION: SEE "2.5mm PITCH BATTERY 4PIN 4.0H PRODUCT SPEC."
 - SOLDER HEAT RESISTANCE: REFLOW SOLDERING 260° FOR 10SEC.
 - TO CONFORM TO SINGATRON HAZARDOUS SUBSTANCE FREE SPEC.
 - HALOGEN FREE PRODUCT IDENTIFICATION MARK ON PRODUCT: ●
 - HALOGEN FREE PRODUCT IDENTIFICATION LOGO ON PACKAGING: ●
 - FOR REFLOW SOLDERING LEED FREE PROCESS.
 - P/N DESCRIPTION:
2BA2004-001011

10. D/C DESCRIPTION:
- YNMDD
 - DAY
 - MONTH
 - YEAR
 - PACKAGE: TAPE AND REEL
 - HOUSING COLOR: BLACK
 - CONTACT FINISH: 10U" MIN, GOLD PLATING ON CONTACT AREA

NO	DESCRIPTION	QTY	MATERIAL	PLATING & COLOR
C	TAB	2	COPPER ALLOY, 0.20T	Sn 40u" MIN., Ni 20u" MIN.
B	CONTACT	4	COPPER ALLOY, 0.15T	Au 10u" MIN., Ni 50u" ~180u"
A	HOUSING	1	HI-TEMP THERMOPLASTIC, UL94V-0	COLOR BLACK

UNLESS OTHERWISE SPECIFIED TOLERANCES

Singatron Enterprise Co., Ltd.
信登企業股份有限公司

TITLE: 2.5mm PITCH BATTERY 4PIN 4.0H

DWN: 08/28/08
CHKD: Mayyon 08/28/08
APVD: Sean-L 08/28/08

PART NO. 2BA2004-001011

SCALE: 4:1 UNIT: mm

SIZE: A3 SHEET: 10F1 REV: C

CUSTOMER COPY

