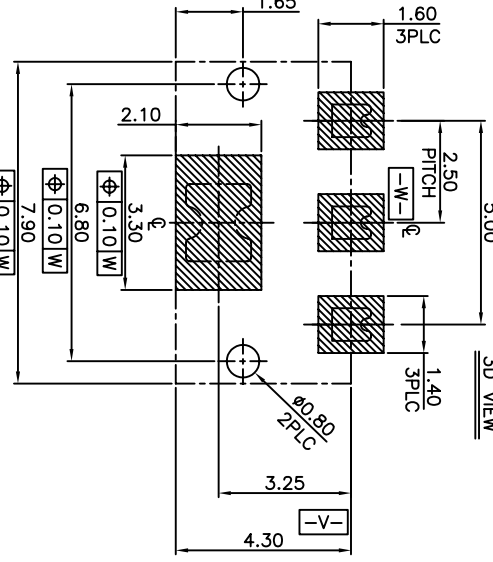
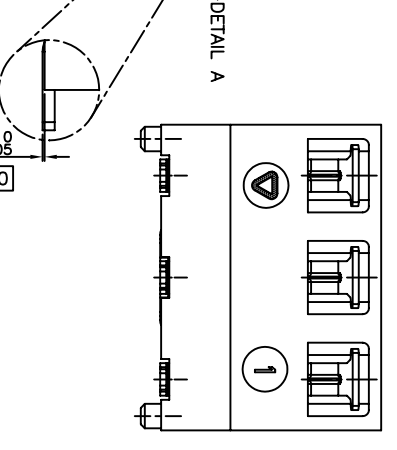
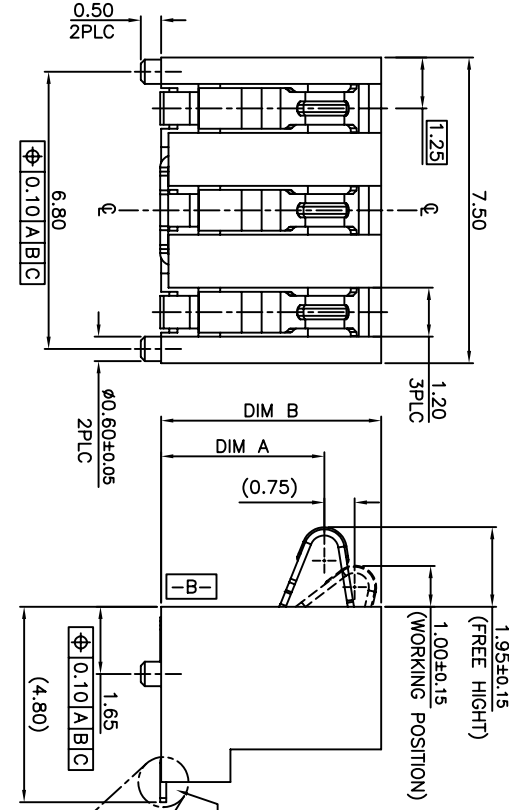
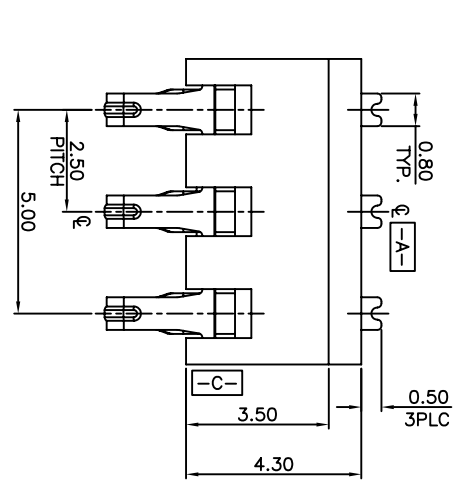
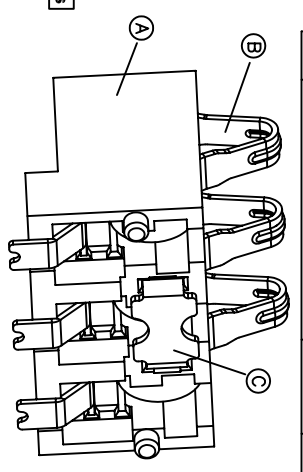
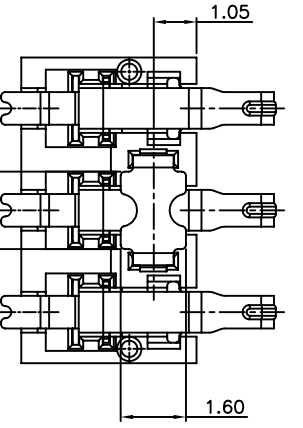


REV.	ECN NO	OR DESCRIPTION	REVISED	DATE
A	PDR NO: S070627-3A	BOYE	2007.10.15	
B	ECN NO: S071028	BOYE	2007.12.14	

- NOTES:
- ELECTRICAL PERFORMANCES:
 - CONTACT RESISTANCE: 50 mΩ MAX.
 - INSULATION RESISTANCE: 1000 MΩ MIN.
 - DIELECTRIC WITHSTANDING VOLTAGE : 250V AC MIN.
 - MECHANICAL PERFORMANCES:
 - REACTION FORCE: 100g MIN(WORKING:1.0mm)
 - MECHANICAL OPERATION: 5000 CYCLES.
 - OPERATING TEMPERATURE: -40°C TO 85°C.
 - GREEN PRODUCT IDENTIFICATION MARK ON BODY:
 - FOR LEAD-FREE PRODUCT.
 - SOLDERING HEAT RESISTANCE: 260°C 10 SEC.
 - TO CONFORM TO THE SINGATRON HSF SPECIFICATION.



RECOMMENDED P.C.B. LAYOUT(TOP VIEW)
TOLERANCE ±0.05mm



PARD NO:

PARD NO.	DIM A	DIM B
ZBA3006-354111	4.00	5.40
ZBA3006-350111	3.60	5.00

NO	DESCRIPTION	QTY	MATERIAL	PLATING & COLOR
1	BRASS T=0.20			Tin plating.
3	BERYLLIUM COPPER T=0.15			Au plating.
1	HIGH TEMP:UL94V-0			BLACK COLOR

DECIMALS:	ANGLES:
X : ±0.5	X : ±2°
X.X : ±0.3	X.X : ±1°
X.XX : ±0.2	

TITLE	2.50mm PITCH 3 PIN BATTERY CONN.
DWN	DATE 2007.12.14 PART NO. ZBA3006-350111
CHKD	SCALE: 8/1 UNIT: mm
APVD	SIZE: A3 SHEET: 1 OF 1 REV: B

Singatron Enterprise Co., Ltd.
信音企業股份有限公司
CUSTOMER COPY(SZ)