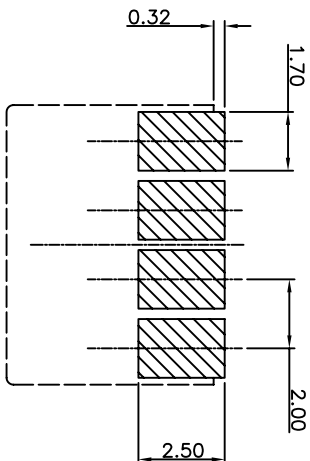
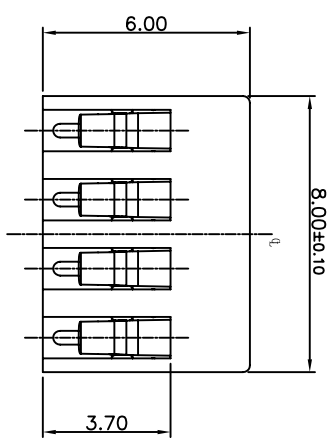
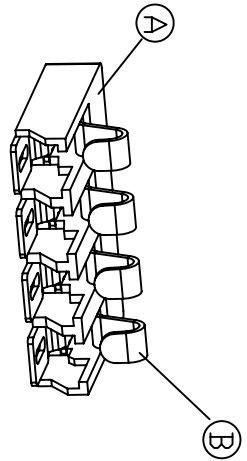
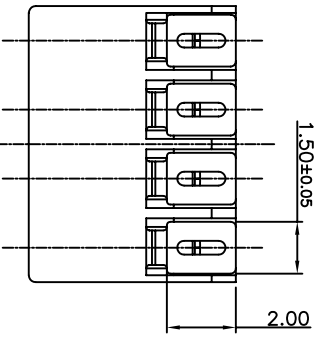
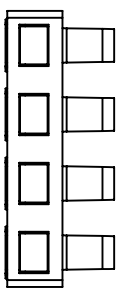
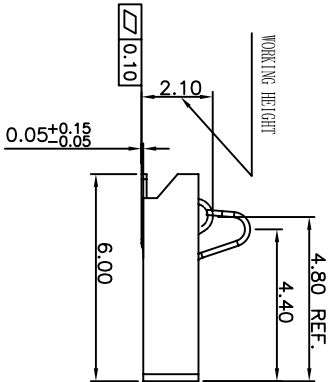
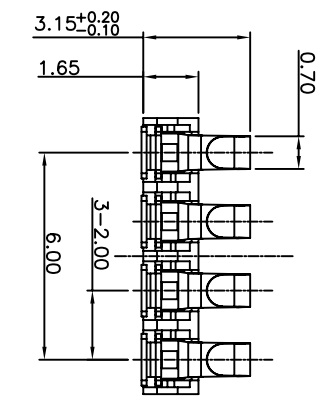


REV.	ECN NO OR DESCRIPTION	REVISED	DATE
A	PDR No:S070928-1A	ZP-CHEN	2008.04.22



RECOMMENDED P.C.B LAYOUT  
(TOP VIEW) TOLERANCE ±0.05mm

- NOTES:
1. MATERIAL SEE TABLE.
  2. ELECTRICAL PERFORMANCES:  
2.1 CONTACT RESISTANCE: 30 m MAX. Ω  
2.2 INSULATION RESISTANCE: 1000 M MIN. Ω
  3. MECHANICAL PERFORMANCES:  
3.1 NORMAL FORCE: 100g MIN. (WORKING: 1.0mm)  
3.2 LIFE TEST: 5000 CYCLES.  
3.3 OPERATING TEMPERATURE: -40° C TO 85° C
  4. GREEN PRODUCT IDENTIFICATION MARK ON BODY:
  5. GREEN PRODUCT IDENTIFICATION LABEL ON PACKAGING:  
FOR LEAD-FREE PRODUCT.
  7. SOLDERING HEAT RESISTANCE: 260° C 10 SEC.
  8. TO CONFORM TO THE SINGATRON HSF SPECIFICATION"



B	CONTACT	4	COPPER ALLOY ,T=0.15	GOLD PLATING
A	BODY	1	HIGH TEMP. THERMOPLASTIC UL94V-0	BLACK COLOR
NO	DESCRIPTION	QTY	MATERIAL	PLATING & COLOR

UNLESS OTHERWISE SPECIFIED TOLERANCES

Singatron Enterprise Co., Ltd.  
信音企業股份有限公司

DECIMALS:		ANGLES:		TITLE	
X	:±0.5	X	:±2°	DWN	P-38H 2008.07.21 PART NO.2BA3007-004111
X.X	:±0.3	X.X	:±1°	CHKD	Sam 2008.04.20 SCALE:8:1 UNIT: mm
X.XX	:±0.2			APVD	Sam 2008.04.20 SIZE: A3 SHEET:1 OF 1 REV: A

CUSTOMER COPY(SZ)