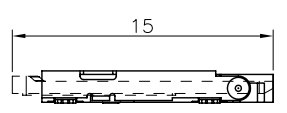
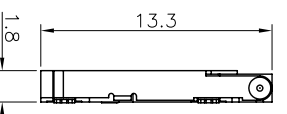
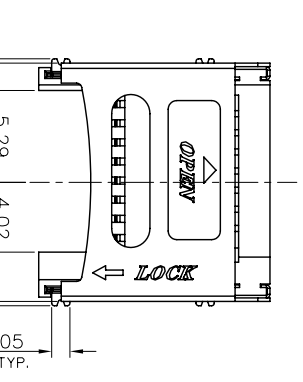
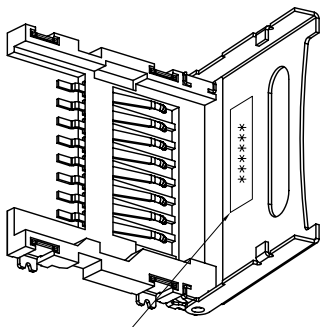
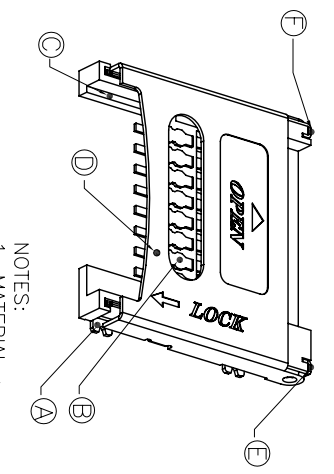


REV.	ECON NO OR DESCRIPTION	REVISED	DATE
A	INITIAL RELEASE	劉木濠	10/24/06

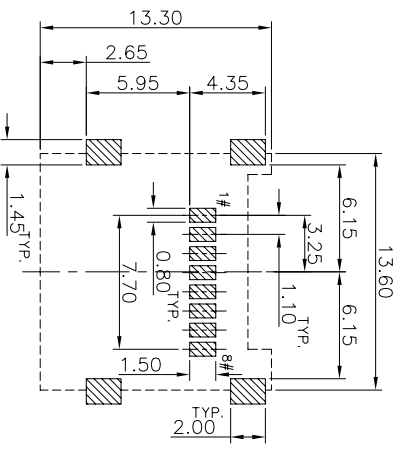
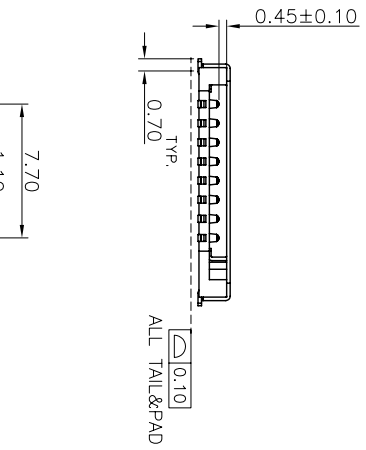


SHELL LOCK

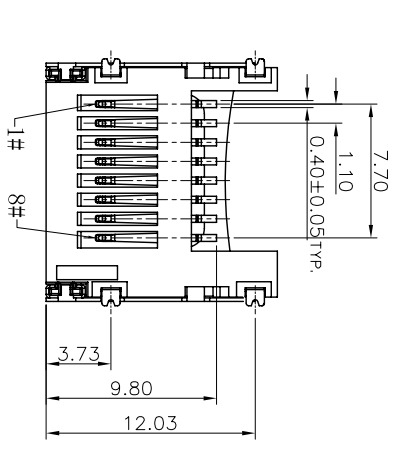


DATE CODE

- NOTES:
1. MATERIAL: HOUSING:HIGH TEMPERATURE THERMOPLASTIC. UL94V-0, BLACK SHELL:STAINLESS STEEL. LOCK:STAINLESS STEEL. CONTACT: COPPER ALLOY. DETECT PIN: COPPER ALLOY.
 2. PLATING: CONTACT: 20u" Min. Au PLATING IN CONTACT AREA; 100u" Min. Sn PLATED OVERALL, 50u" Min. Ni UNDERPLATED OVERALL. PAD:100u" Min. Sn PLATING OVER ALL. 50u" Min. Ni UNDERPLATED OVERALL.
 3. ELECTRICAL CHARACTERISTIC: CONNECT RESISTANCE:80 MILLIONMS/PIN Max. INSULATION RESISTANCE:1000 MEGOHMS Min. VOLTAGE WITHSTAND:500V AC for 1minute
 4. DATE CODE: *****



RECOMMENDED PCB PATTERN LAYOUT
TOLERANCE: ±0.05



Pin No.	Name	Type	DESCRIPTION
1	DAT2	I/O/PP	Data Line [bit2]
2	CD/DAT3	I/O/PP	Card Detect Data Line [bit3]
3	CMD	PP	Command Response
4	VDD	S	Supply Voltage
5	CLK	I	Clock
6	VSS	S	Supply Voltage Ground
7	DAT0	I/O/PP	Data Line [bit0]
8	DAT1	I/O/PP	Data Line [bit1]

NO	DESCRIPTION	QTY	MATERIAL	PLATING & COLOR
A	PAD	4	COPPER ALLOY	Sn:100u" min Ni:50u" min
B	Housing	1	HIGH TEMP. THERMOPLASTIC	(UL94-V0) BLACK
C	Contact	8	COPPER ALLOY	Au 20u"
D	Shell	1	STAINLESS STEEL	/
E	LOCK-R	1	SUS	/
F	LOCK-L	1	SUS	/

Singatron Enterprise Co., Ltd.
信晉電子(中山)有限公司

TITLE: TRANS FLASH HIGNE TYPE W/LOCK

PART NO: 2CA-0007-B01

SCALE: N/A UNIT: mm

SIZE: A4 SHEET: 10F1 REV: A

CUSTOMER COPY