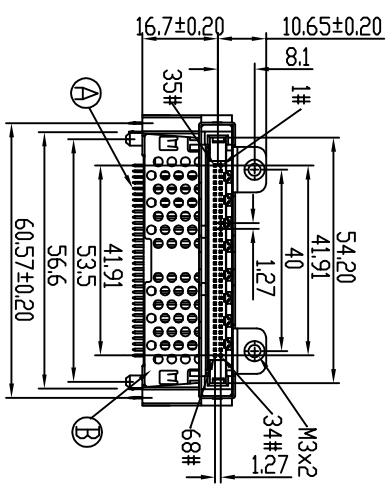
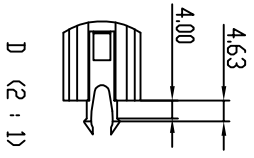
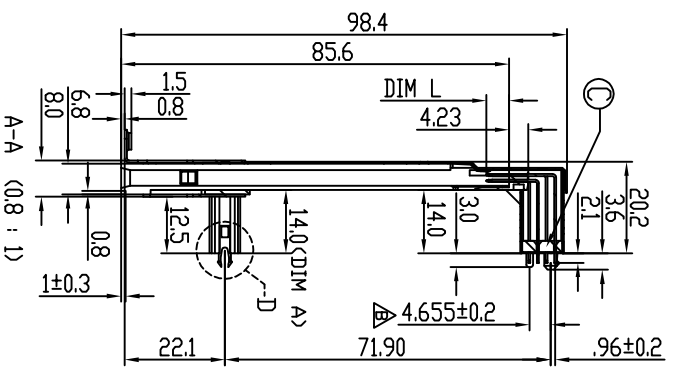


REV.	ECN NO.	OR DESCRIPTION	REVISED	DATE
A		PDR RELEASE	BONNIE	2008.11.24
B	ECN NO.1080142		BONNIE	2008.12.25

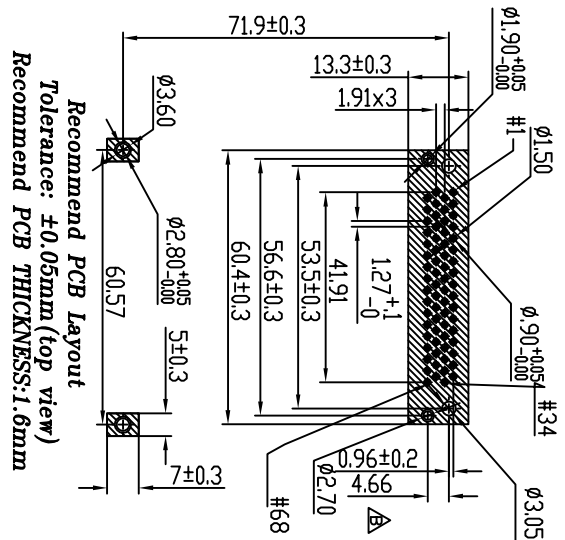
SPECIFICATIONS:

1. OTHER GENERAL SPEC. TO REFER "2CA1506 SERIES SPEC."
2. TO CONFORM TO SINGATRON HAZARDOUS SUBSTANCE FREE SPEC.
3. PACKAGE : SEE "2CA1503-002111 SERIES" PACKAGE
4. GREEN PRODUCT IDENTIFICATION LABEL ON PACKAGING: **G.P. PASS**

- PART NO.**
2CA1503-002111
- PACKAGE
 - 1: TRAY
 - HOUSING COLOR
 - 1: BLACK
 - CONTACT PLATING
 - 1: Au / TIN PLATING
 - HOUSING HIGHLY DIM A
 - 2: 14mm



PIN TYPE	DIM.L ± 0.20	PIN NUMBER
DETECT	3.50 mm	36, 67
GENERAL	4.25 mm	THE REST
POWER	5.00 mm	1, 17, 34, 35, 51, 68



Recommend PCB Layout
Tolerance: ±0.05mm (top view)
Recommend PCB THICKNESS: 1.6mm

□ SOLDER PAD
▨ NO ANY TRACE AND COMPONENT AREA

NO	DESCRIPTION	QTY	MATERIAL	PLATING & COLOR
A	Contact	68	Copper Alloy	Au / TIN PLATING
B	EMI Shell	1	Stainless Steel (SUS304)	Tin Plated
C	Locator	1	PBT+GF30%(U94V-0)	BLACK COLOR
D	Base	1	PBT+GF30%(U94V-0)	BLACK COLOR
E	Card Bus	1	Stainless Steel (SUS304)	Gold Flash
F	Hook Pin	2	Phosphor Bronze	Tin Plated
G	Top Shield	1	SPCC	NI PLATING

UNLESS OTHERWISE SPECIFIED TOLERANCES

DECIMALS: ANGLES:

X : ±0.5 X : ±2
X.X : ±0.3 X.X : ±1'
X.XX : ±0.2

Singatron Enterprise Co., Ltd.
信譽企業股份有限公司

TITLE: CARD BUS SINGLE DECK

DRAWN: JMC 2008.10.07 PART NO. 2CA1503-002111

CHKD: JMC 2008.10.07 SCALE: N/A UNIT: mm

APVD: JMC 2008.10.07 SIZE: A3 SHEET: 1 OF 1 REV: B

CUSTOMER COPY