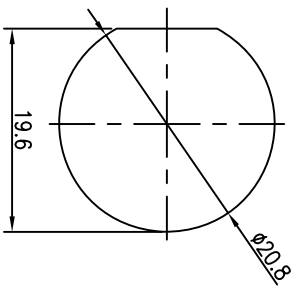
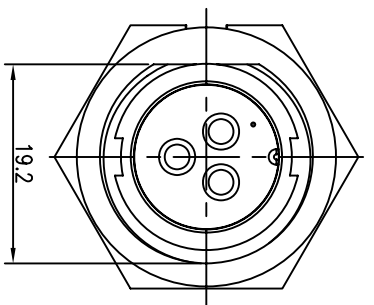
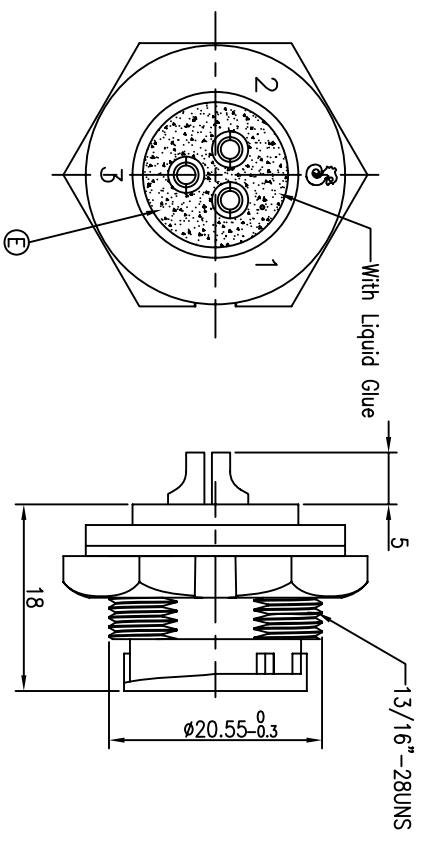
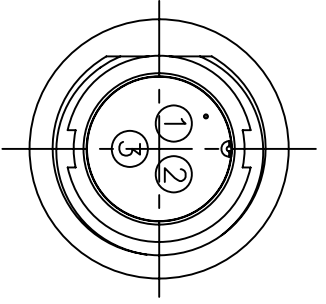
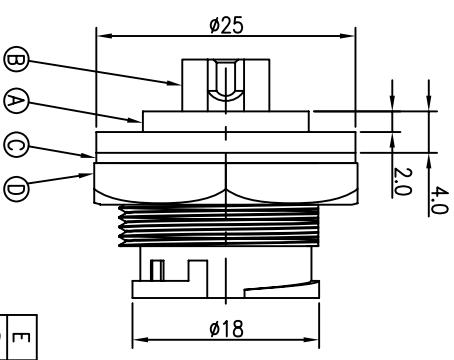


REV.	ECN NO OR DESCRIPTION	REVISED	DATE
A	PDR NO.:T080815A3G	Steve	2009.04.28

PIN ASSIGNMENTS
FRONT VIEW



RECOMMENDED PANEL CUT-OUT



- NOTES:
1. WATERPROOF RATE: IP67
IP67: IMMersed IN 1M WATER FOR 30 MINUTES
 2. ELECTRICAL CHARACTERISTICS
TEMPERATURE RANGE: -40°C TO +100°C
CURRENT RATING: 16A
DIELECTRIC WITHSTANDING VOLTAGE: 1000V AC FOR ONE MINUTE
 3. SPECIFICATIONS:SEE "CIRCULAR SERIES SPECIFICATIONS".
 4. TO CONFORM TO SINGATRON HAZARDOUS SUBSTANCE FREE SPEC.
 5. GREEN PRODUCT IDENTIFICATION LABEL ON PACKAGING: [G.P. 21A3]
 6. FOR PANEL THICKNESS MAX OF 3.5mm

NO	DESCRIPTION	QTY	MATERIAL	PLATING & COLOR
E	LIQUID GLUE	1		BLACK
D	NUT	1	NYLON+GF	BLACK
C	GASKET	1	EPDM	BLACK
B	MALE PIN	3	BRASS	6u" GOLD PLATED OVER NICKEL PLATING
A	BODY	1	NYLON+GF	BLACK

UNLESS OTHERWISE SPECIFIED TOLERANCES

DECIMALS:	ANGLES:	TITLE	SCALE	UNIT:	REV:
X :±0.5	X :±2°	CIRCULAR MIDDLE SIZE (PGB/LOCK TYPE)	PART NO.2CJM3002-W03600	mm	A
XX :±0.3	XX :±1'	MALE CONN. MALE 3 PIN(16A)	SCALE 2:1		
XXX :±0.2			SIZE: A3	SHEET:1 OF 1	

CUSTOMER COPY

Singatron Enterprise Co., Ltd.
信亨企業股份有限公司