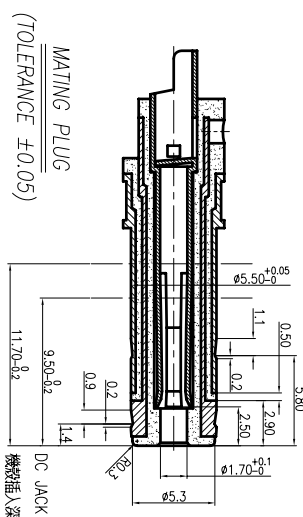
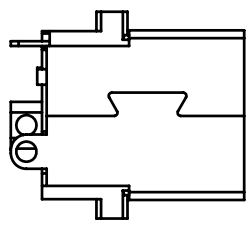
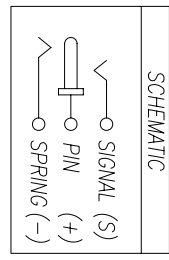
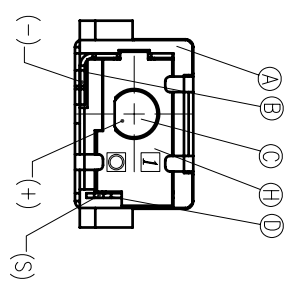
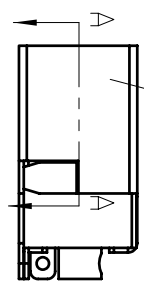
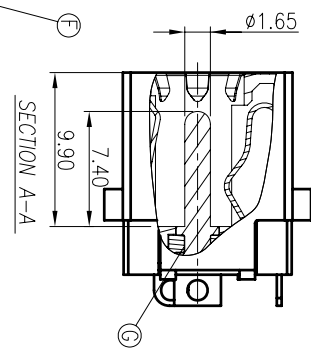
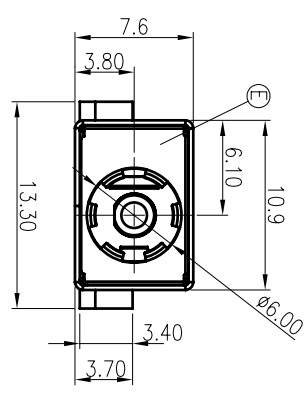
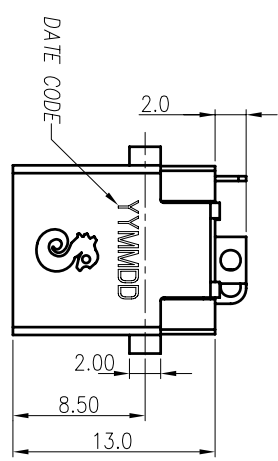


REV. ECN NO OR DESCRIPTION	REVISED	DATE
A PRODUCT RELEASE	DA	2009.06.03

- SPECIFICATIONS:
- ELECTRICAL CHARACTERISTICS:
    - RATING: 20V 7A
    - CONTACT RESISTANCE: 30m $\Omega$  MAX.(INITIAL)
    - CONTACT WITHSTANDING VOLTAGE: 500V AC FOR ONE MINUTE.
    - INSULATION RESISTANCE: 100M $\Omega$  MIN. MEASURED BY 500 VDC
  - MECHANICAL CHARACTERISTICS:
    - INSERTION FORCE : 0.4~3.0 KGF
    - WITHDRAWAL FORCE : 0.4~3.0 KGF
  - LIFE TEST: 5,000 CYCLES MIN.
  - TO CONFORM TO SINGATRON HAZARDOUS SUBSTANCE FREE SPEC.
  - GREEN PRODUCT IDENTIFICATION MARK ON JACK:
  - GREEN PRODUCT IDENTIFICATION LABEL ON PACKAGING:
  - FOR HAND SOLDERING LEAD-FREE PROCESS.



MATING WITH  $\phi 1.65 \pm 0.01$  mm PIN :  
 INSERTION FORCE : 1.0 KGF MAX.  
 WITHDRAWAL FORCE : 0.6 KGF MIN.

ORDER NO.  
 2DC1022-000111

PACKAGING: 1: BAG  
 HOUSING COLOR: 1: BLACK  
 CONTACT PLATING: 1: GOLD-PLATED

H	COVER	1	THERMOPLASTIC UL 94V-0	BLACK COLOR
G	STOPPER	1	THERMOPLASTIC UL 94V-0	BLACK COLOR
F	SHELL	1	SPCC 0.3T	NICKEL-PLATED
E	GROUND	1	STAINLESS 0.1t	N/A
D	SIGNAL	1	COPPER ALLOY 0.3T	GOLD-PLATED(1~3 $\mu$ )
C	PIN	1	BRASS	GOLD-PLATED(1~3 $\mu$ )
B	SPRING	1	COPPER ALLOY 0.3T	GOLD-PLATED(1~3 $\mu$ ) AT CONTACT AREA
A	HOUSING	1	THERMOPLASTIC UL 94V-0	BLACK COLOR
NO	DESCRIPTION	QTY	MATERIAL	PLATING & COLOR

UNLESS OTHERWISE SPECIFIED TOLERANCES

Singatron Enterprise Co., Ltd.  
 信音企業股份有限公司

DECIMALS:	ANGLES:	TITLE
X : $\pm 0.5$	X : $\pm 2^\circ$	DC POWER JACK
XX : $\pm 0.3$	XX : $\pm 1^\circ$	DWV : DA 2009.6.3
XXX : $\pm 0.2$		CHKD : ANGEBA 2009.6.3
		APVD : JACK-K00
		SIZE: A3
		SHEET: 1 OF 1
		REV: A

CUSTOMER COPY