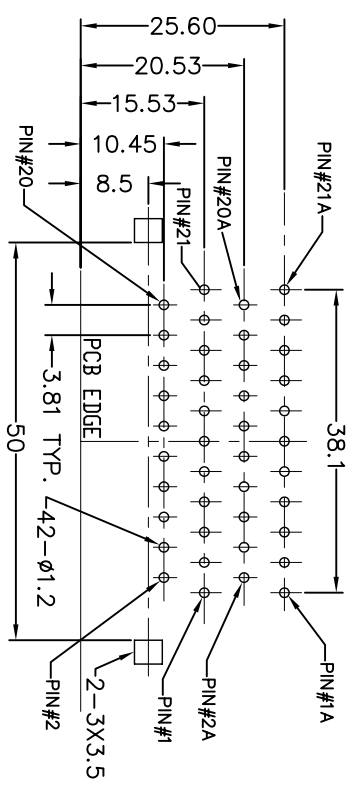
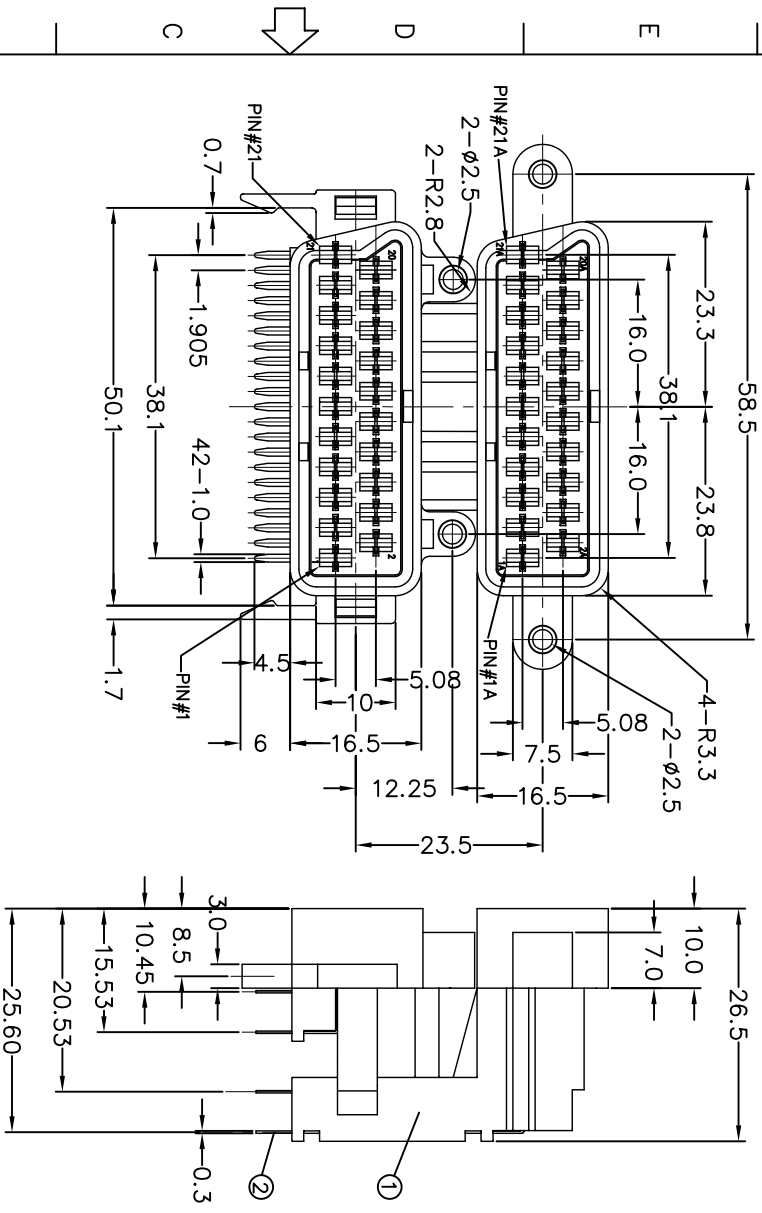
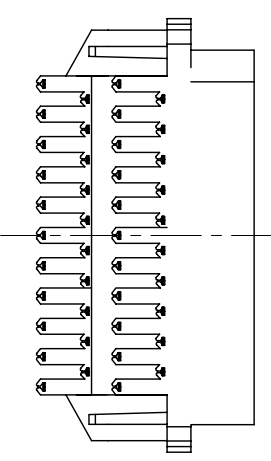


REV.	ECN NO OR DESCRIPTION	REVISED	DATE
B	ECN NO.930194	Beryl	2005.15
C	ECN NO.940129	Beryl	2005.5.9
D	ECN NO.940129	Beryl	2005.8.1

- Specifications
1. Rating : 3A 100V AC
  2. Contact Resistance : 30mΩ max.
  3. Insulation Resistance : 1000MΩ min. at 500V DC
  4. Withstanding Voltage : 800V AC for one minute
  5. Operating Temperature Range : -25°C to +85°C
  6. Mating Force: 6.0Kgf Max.
  7. Unmating Force: 1.5Kgf Min.



RECOMMENDED P.C.B. LAYOUT  
 (TOP VIEW) TOLERANCE: ±0.05mm



2	CONTACT	42	PHOSPHOR BRONZE 0.3t	TIN PLATING
1	HOUSING	1	PC UL 94-0	BLACK COLOR
NO	DESCRIPTION	QTY	MATERIAL	PLATING & COLOR
UNLESS OTHERWISE SPECIFIED TOLERANCES				
Singatron Enterprise Co., Ltd. 信音企業股份有限公司				
TITLE SCART SOCKET				
DWN	Beryl/2005.8.1	PART NO.2DS-S201-001		
CHKD	Kan 2005.8.1	SCALE:3/2	UNIT: MM	
APVD	Aion 2005.8.1	SIZE: A3	SHEET:1 OF 1	REV: D

DECIMALS: ANGLES:

X :±0.8 X :±1°  
 X.X :±0.3 X.X :±0.5°  
 X.XX :±0.15