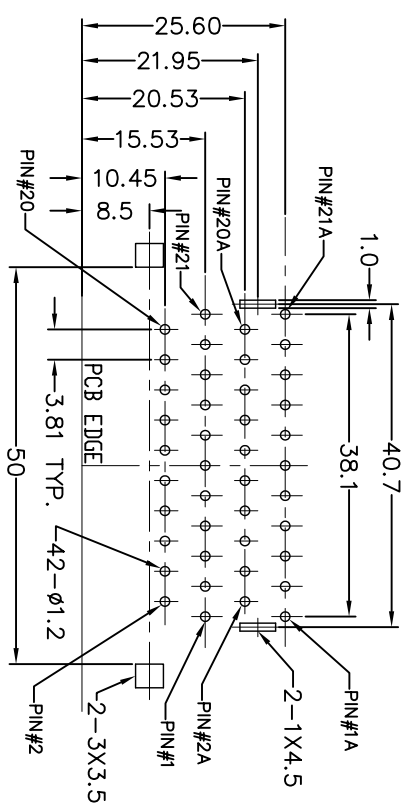
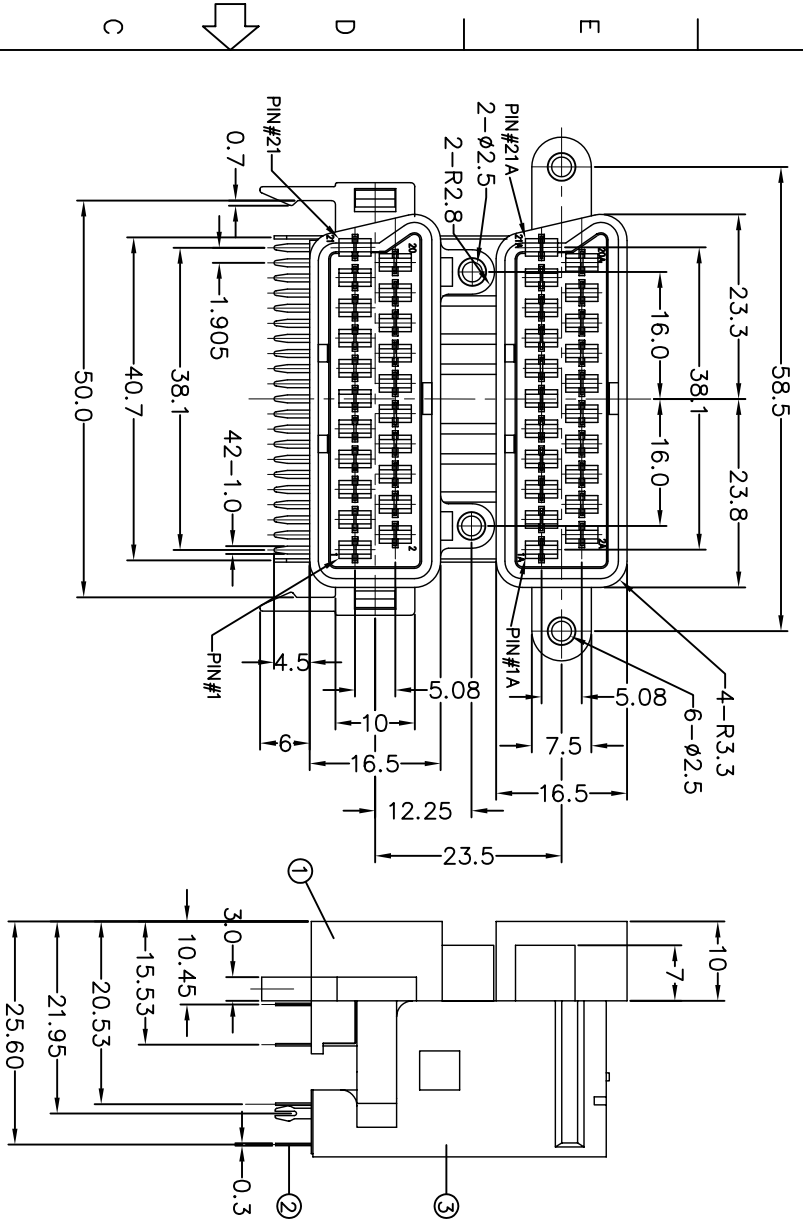


REV.	ECN NO. OR DESCRIPTION	REVISED	DATE
B	ECN NO.930194	Beryl	2005.15
C	ECN NO.940129	Beryl	2005.6.9
D	ECN NO.940129	Beryl	2005.8.1

- Specifications
1. Rating : 3A 100V AC
  2. Contact Resistance : 30mΩ max.
  3. Insulation Resistance : 1000MΩ min. at 500V DC
  4. Withstanding Voltage : 800V AC for one minute
  5. Operating Temperature Range : -25°C to +85°C
  6. Mating Force: 6.0KgF Max.
  7. Umating Force: 1.5KgF Min.



RECOMMENDED P.C.B. LAYOUT  
 (TOP VIEW) TOLERANCE: ±0.05mm

NO	DESCRIPTION	QTY	MATERIAL	PLATING & COLOR
3	SHELL	1	PHOSPHOR BRONZE 0.3t	TIN PLATING
2	CONTACT	42	PHOSPHOR BRONZE 0.3t	TIN PLATING
1	HOUSING	1	PC UL 94-0	BLACK COLOR

UNLESS OTHERWISE SPECIFIED TOLERANCES

DECIMALS:	ANGLES:	TITLE	SCART SOCKET
X : ±0.8	X : ±1°	DWN	Beryl/2005.8.1
X X : ±0.3	X X : ±0.5°	CHKD	Kan 2005.8.1
X.XX : ±0.15		APVD	Aion 2005.8.1

Singatron Enterprise Co., Ltd.  
 信音企業股份有限公司

APVD	CHKD	DWN	TITLE	PART NO.	SCALE	UNIT	MM	SHEET	REV.
Aion 2005.8.1	Kan 2005.8.1	Beryl/2005.8.1	SCART SOCKET	2DS-S201-P01	3/2	MM		1 OF 1	D