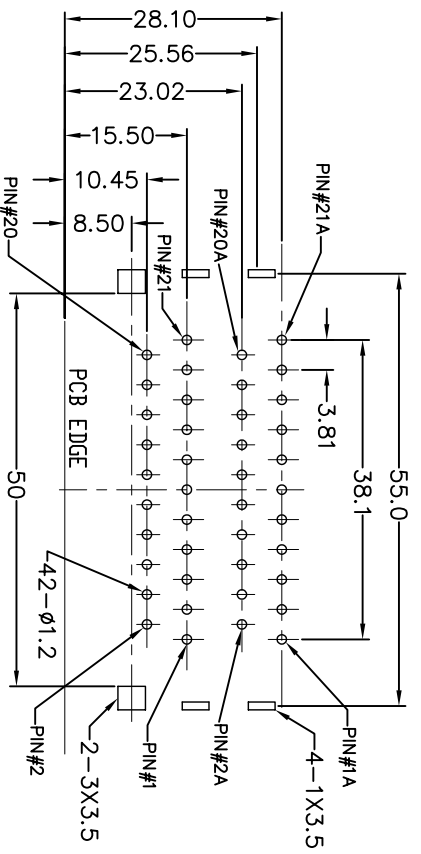
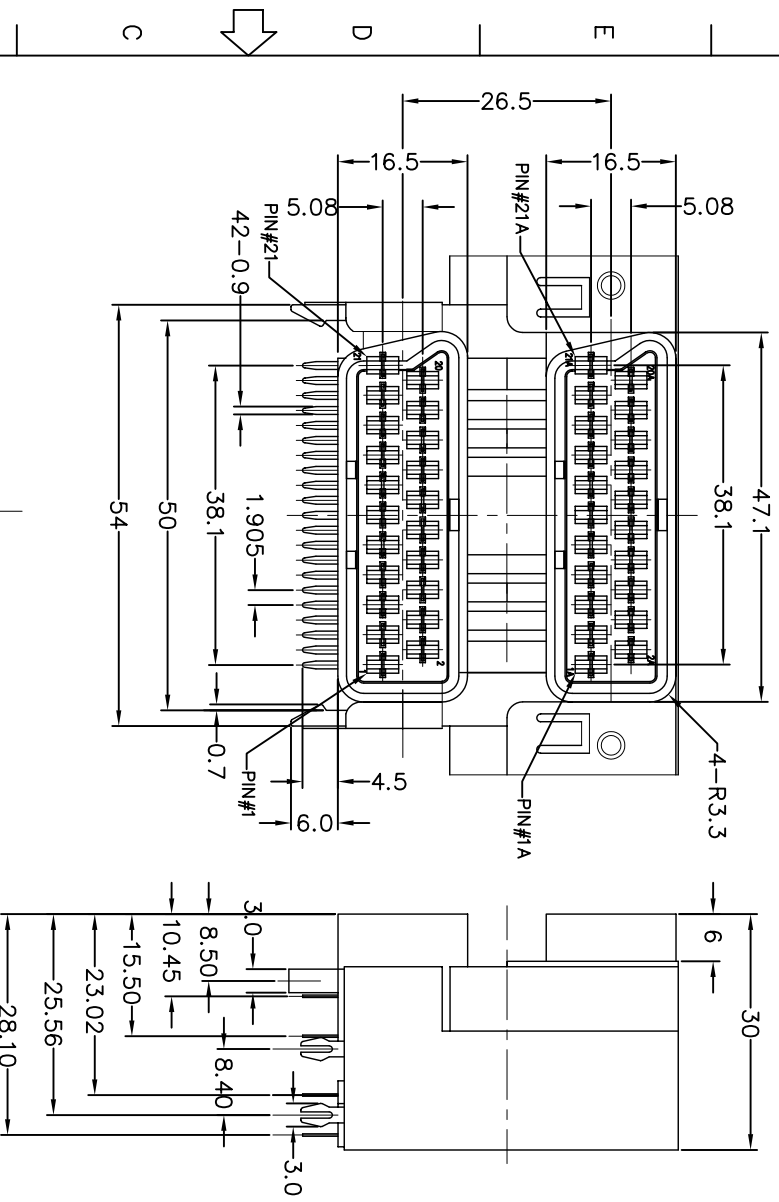
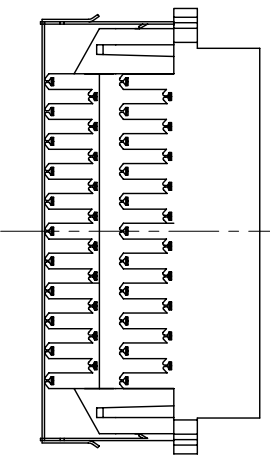


REV.	ECN NO OR DESCRIPTION	REVISED	DATE
B	ECN NO.940129	Beryl	2005.8.9
C	ECN NO.940129	Beryl	2005.8.1

- Specifications
1. Rating : 3A 100V AC
 2. Contact Resistance : 30mΩ max.
 3. Insulation Resistance : 1000MΩ min. at 500V DC
 4. Withstanding Voltage : 800V AC for one minute
 5. Operating Temperature Range : -25°C to +85°C
 6. Applicable PC Board Thickness : 1.6mm



RECOMMENDED P.C.B LAYOUT
(TOP VIEW) TOLERANCE: ±0.05mm



2	CONTACT	42	PHOSPHOR BRONZE 0.3t	TIN PLATING
1	HOUSING	1	PC UL 94-0	BLACK COLOR
	DESCRIPTION	QTY	MATERIAL	PLATING & COLOR
UNLESS OTHERWISE SPECIFIED TOLERANCES				
Singatron Enterprise Co., Ltd. 信管企業股份有限公司				
TITLE		SCART SOCKET		
DWN	Beryl 2005.8.1	PART NO.	2DS-S203-001	
CHKD	Kan 2005.8.1	SCALE:	3/2 UNIT: MM	
APVD	Alan 2005.8.1	SIZE:	A3 SHEET: 1 OF 1 REV: C	

DECIMALS:	ANGLES:
X : ±0.8	X : ±1°
X.X : ±0.3	X.X : ±0.5°
X.XX : ±0.15	