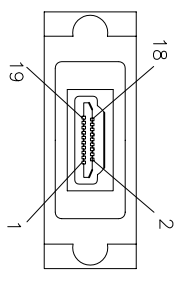
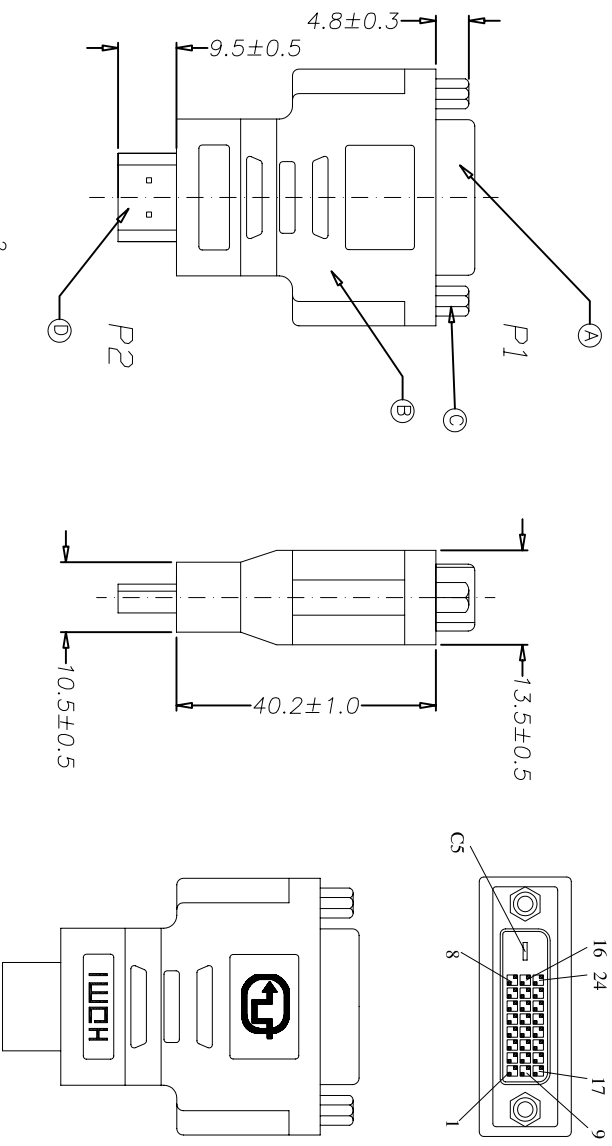


REV.	ECN NO OR DESCRIPTION	REVISED	DATE
A	PRODUCT RELEASE	BERYL	2006.8.29
B	ECN NO.10/70226	LULU	2007/07/24

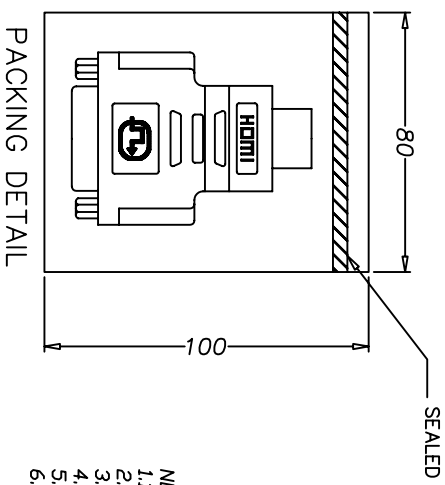
PIN ASSIGNMENT

P1	WIRE COLOR	P2
1	RED WIRE	3
2	RED WIRE	1
3	RED WIRE	2
6	RED WIRE	15
7	RED WIRE	16
9	RED WIRE	6
10	YELLOW WIRE	4
11	YELLOW WIRE	5
14	YELLOW WIRE	18
15	YELLOW WIRE	17
16	YELLOW WIRE	19
17	YELLOW WIRE	9
18	BLACK WIRE	7
19	BLACK WIRE	8
22	BLACK WIRE	11
23	BLACK WIRE	10
24	BLACK WIRE	12
SHELL	BLACK WIRE	SHELL



2DS1508-000111

- PACKAGE: 1: BAG
- BODY COLOR: 1: BLACK
- CONTACT PLATING: 1: GOLD PLATING OVER NICKEL ON CONTACT AREA TIN PLATING ON TERMINAL.



NOTE:
 1.100% TEST Open, Short & Miswire.
 2. Dielectric Strength: 300V AC for 10ms.
 3. Insulation Resistance: 10M ohm(MIN) / 300V DC.
 4. Contact resistance: 2 ohm(MAX).
 5. Adaptor With 360° Full Copper Soldering.
 6. RoHS compliant.

NO	DESCRIPTION	QTY	MATERIAL	PLATING & COLOR
D	HDMI 19PIN MALE	1	INSULATOR:BLACK,CONN:G/F,SHELL:NICKEL.	
C	SCREW	2	BRASS, NICKEL PLATING	
B	MOLDING	166	COPPER:40mm(φ)*100mm(ℓ)*0.08mm(ℓ) OUTSIDE MOLDING:45P PVC IN BLACK. INSIDE MOLDING : PE CLEAR	
A	DVI (24+1) FEMALE	6	UL1007 28AWG BLACK L=30MM. UL1007 28AWG YELLOW L=30MM. UL1007 28AWG RED L=30MM.	
		1	INSULATOR:BLACK,CONN:G/F, SHELL:NICKEL, WITH HEX NUT: #4-40UNC.	

DECIMALS:	ANGLES:
X : ±0.5	X : ±2°
X.X : ±0.3	X.X : ±1°
X.XX : ±0.2	

TITLE	DVI 24+1 FEMALE TO HDMI 19P MALE ADAPTOR
DWN	ULU 2007/26
CHKD	LANON 2007/26
APVD	LANON 2007/26

CUSTOMER COPY