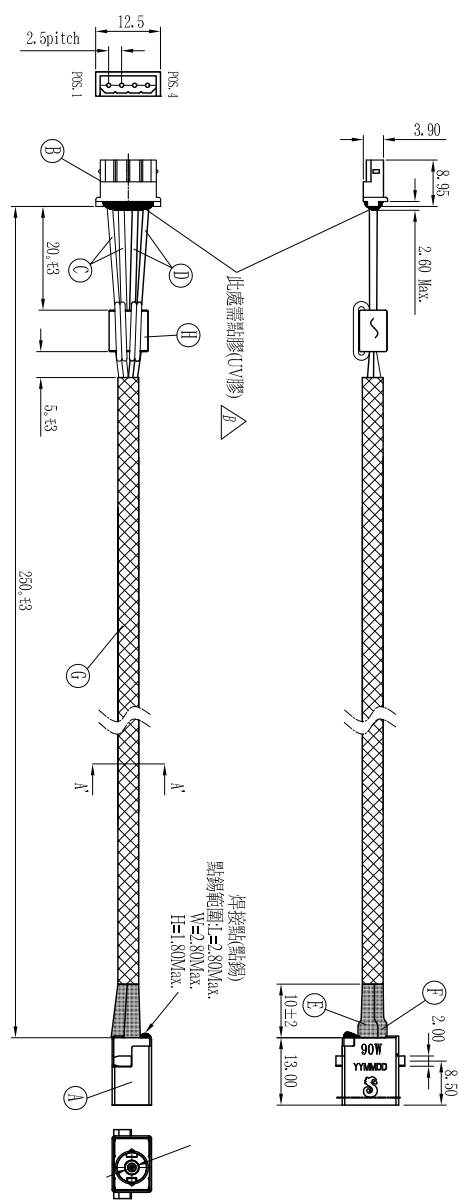
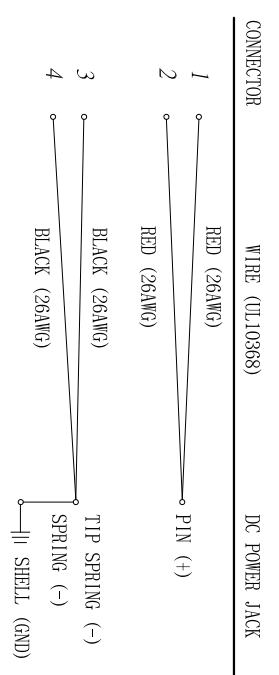


REV.	ECN NO OR DESCRIPTION	REVISED	DATE
A	PRODUCED RELEASED	HENSON	2010.3.1
B	4P CONNECTOR用熱膠 (UV膠)	HENSON	2010.6.1
C	ECN NO:CI000389 MODIFY SIMANTON PIN	ZONGJIAN	2010.11.2

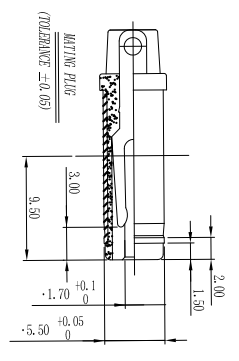
1. SEE "20W1022 SERIES SPECIFICATION"
2. TO CONFORM TO SIMANTON HAZARDOUS SUBSTANCE FREE SPEC.
3. HALOGEN FREE PRODUCT IDENTIFICATION MARK ON JACK:
4. HALOGEN FREE PRODUCT IDENTIFICATION LABEL ON PACKAGING:
5. FOR HAND SOLDERING LEAD-FREE PROCESS.
6. PACKAGING: BAG
7. WIRE NO.: 30W1022-4001144



A-A SECTION  
DETAIL: 2:1



WIRING DIAGRAM



NO	DESCRIPTION	QTY	MATERIAL	PLATING & COLOR
H	CORE	1	7.5*5.3*8	BLACK COLOR
G	ACETATE CLOTH TAPE	1	N/A	BLACK COLOR
F	HEAT SHRINK TUBE	1	300V, 125°	BLACK COLOR
E	HEAT SHRINK TUBE	1	300V, 125°	BLACK COLOR
D	WIRE	2	UL10388 26AWG	BLACK COLOR
C	WIRE	2	UL10388 26AWG	RED COLOR
B	CONNECTOR	4	TER: PHOSPHOR BRANZE HSG: NYLON66 U94F-0	TIN-PLATED WHITE COLOR
A	DC POWER JACK	1	SIMANTON P/N: 20C2024-000131	BLUE (90W)

UNLESS OTHERWISE SPECIFIED TOLERANCES

Singatron Enterprise Co., Ltd.  
信晉企業股份有限公司

DECLINLS:	ANGLES:	TITLE
X : ±0.5	X : ±2°	DC POWER JACK/WIRE
K.X : ±0.3	K.X : ±1°	DRAWING NO. 20W1022-400115
K.XX : ±0.2		SCALE: 1:1
		UNIT: mm
		SIZE: A3
		SHEET: 1 OF 1
		REV: C

CUSTOMER COPY