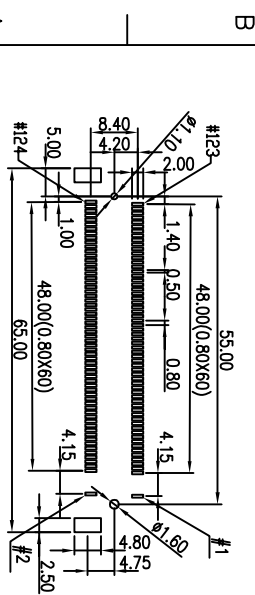
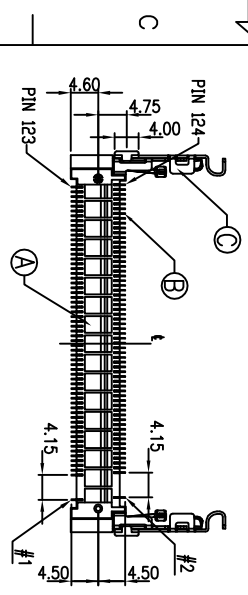
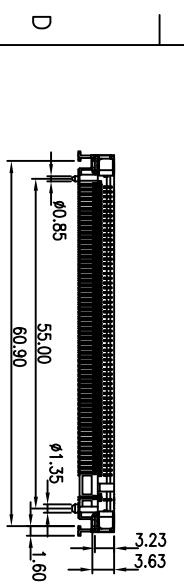
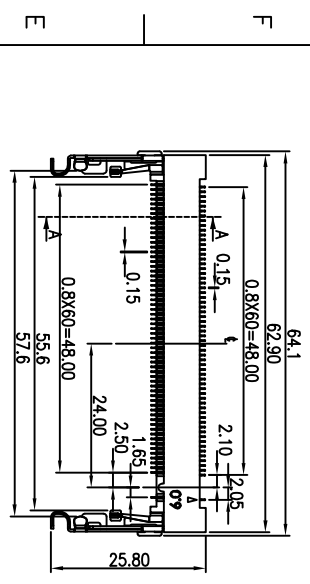


| REV | ECN NO | OR DESCRIPTION | REVISED | DATE |
|-----|--------|----------------|---------|------------|
| A | PDR | RELEASE | AMWC | 2009.01.22 |

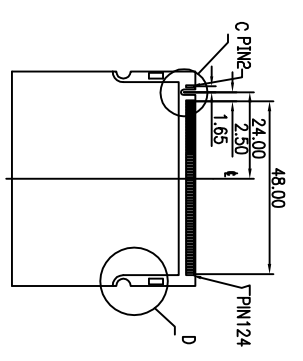
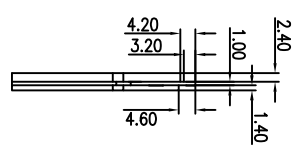
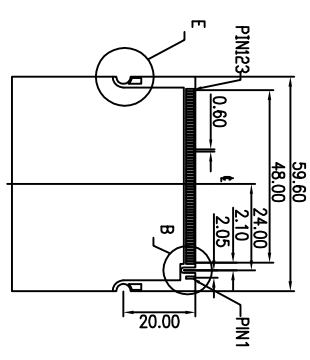
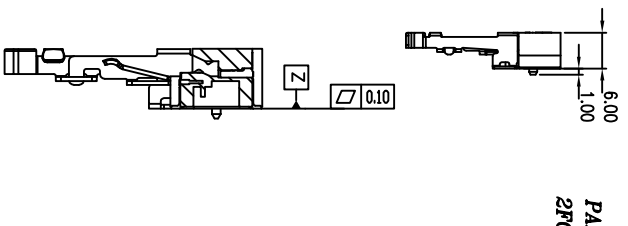
PART NO.
2FC1500-000111

PACKAGE
I: TRAY
HOUSING COLOR
I: BLACK
CONTACT PLATING
I: Gold Flash

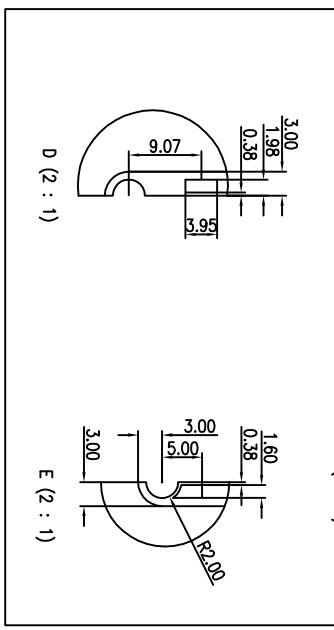
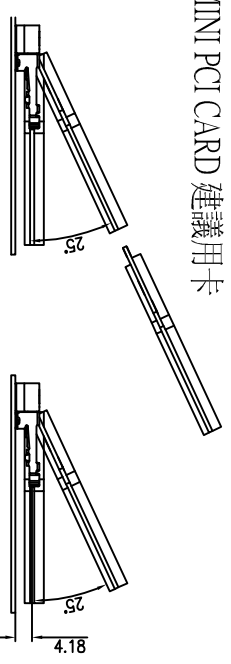
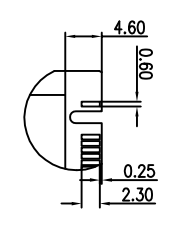
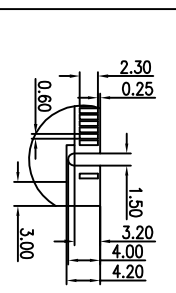
- SPECIFICATIONS:**
1. OTHER GENERAL SPEC. TO REFER "2FC1500 SERIES SPEC".
 2. TO CONFORM TO SINGATRON HAZARDOUS SUBSTANCE FREE SPEC.
 3. GREEN PRODUCT IDENTIFICATION LABEL ON PACKAGING: **G.P. PASS**
 4. FOR REFLOW SOLDERING LEAD-FREE PROCESS.
 5. PACKAGE : SEE " 2FC1500 SERIES " PACKAGE.



Recommend PCB Layout
Tolerance: ±0.05mm (TOP view)



SUGGESTION MINI PCI CARD 建議用卡



| | | | | |
|--|-----------------|------------|--------------------------|-----------------|
| C | LATCH | 2 | Stainless steel (SUS301) | |
| B | CONTACT | 124 | Phosphor Bronze | Gold Flash |
| A | BASE | 1 | LCP+GF30% UL94-V0 | BLACK COLOR |
| NO | DESCRIPTION | QTY | MATERIAL | PLATING & COLOR |
| UNLESS OTHERWISE SPECIFIED TOLERANCES | | | | |
| Singatron Enterprise Co., Ltd. 信音企業股份有限公司 | | | | |
| TITLE: MINI PCI 6.0mm ASSEMBLY | | | | |
| DWN | AWC 2009.01.22 | PART NO. | 2FC1500-000111 | |
| CHKD | AMWC 2009.01.22 | SCALE: N/A | UNIT: mm | |
| APVD | AMWC 2009.01.22 | SIZE: A3 | SHEET: 1 OF 1 | REV: A |

CUSTOMER COPY