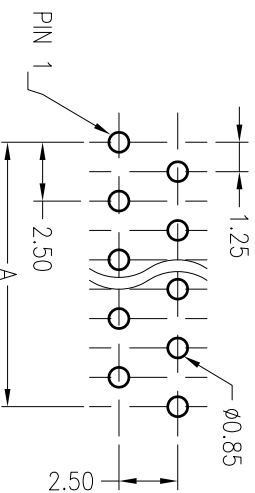
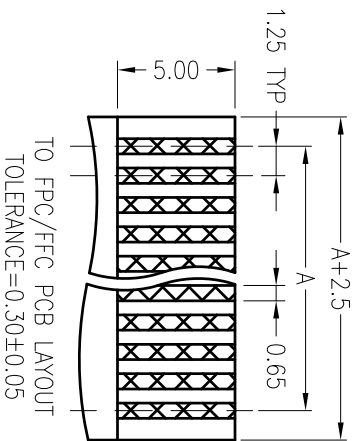
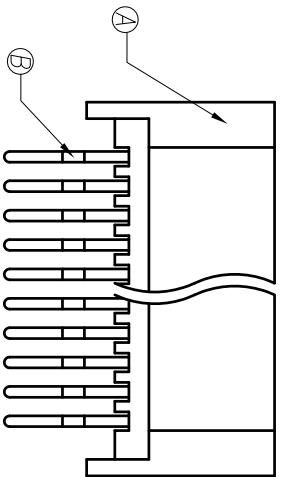
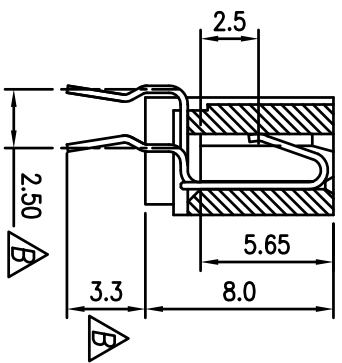
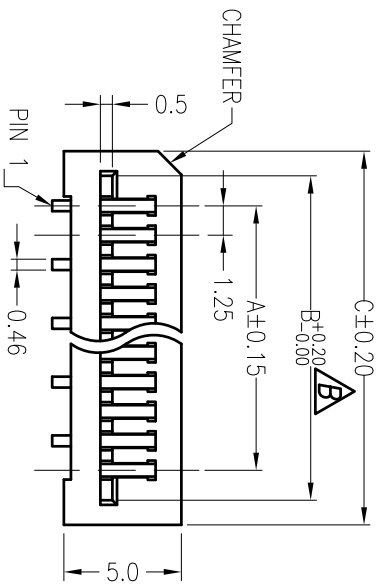


REV.	ECN NO. OR DESCRIPTION	REVISED	DATE
A	PDR RELEASE	AMYC	2009.01.22
B	ECR NO:110047	IVY-C	2011.05.09



TOLERANCE:±0.05
STANDARD PCB LAYOUT

- SPECIFICATIONS:
- VOLTAGE RATING: 250 VAC RMS.
 - CURRENT RATING: 1 AMP.
 - DIELECTRIC WITHSTANDING VOLTAGE: 500 VAC RMS 60 HZ. FOR 1 MINUTE.
 - INSULATION RESISTANCE: 1000 MEGOHMS MIN AT 500 VDC.
 - CONTACT RESISTANCE: 20 MILLIOHMS MAX.
 - DURABILITY: 75 CYCLES.
 - OTHER GENERAL SPEC. TO REFER "2FF1500 SERIES SPEC".
 - TO CONFORM TO SINGATRON HAZARDOUS SUBSTANCE FREE SPEC.
 - GREEN PRODUCT IDENTIFICATION LABEL ON PACKAGING: **[G.P. PASS]**
 - PACKAGE: SEE "2FF1500 SERIES" PACKAGE
 - FOR WAVE SOLDERING LEAD-FREE PROCESS.

PART NO.
2FF1500-022111

PACKAGE
I: Tube

HOUSING COLOR
I: BLACK

CONTACT PLATING
I: TIN

NO of Circuit
SEE " TABLE 1 "

" TABLE 1 "

PART NO.	Circuit	A	B	C
2FF1500-022111	22	26.25	28.80	30.90

B	CONTACT	22	PHOSPHOR BRONZE	TIN PLATING
A	HOUSING	1	PBT, UL 94V-0	BLACK COLOR
NO.	DESCRIPTION	QTY	MATERIAL	PLATING & COLOR
UNLESS OTHERWISE SPECIFIED TOLERANCES				
DECIMALS:	ANGLES:			
X : ±0.5	X : ±2°			
XX : ±0.3	XX : ±1°			
XXX : ±0.2				
Singatron Enterprise Co., Ltd. 信亨企業股份有限公司				
TITLE	FPC/FPC 1.25 PITCH NON ZIF TOP ENTRY SINGLE CONTACT			
DMW	W-C:2011.05.09 PART NO.2FF1500-022111			
CHKD	IAND-H:2011.05.09 SCALE:N/A UNIT: mm			
APVD	IAND-H:2011.05.09 SIZE: A3 SHEET:1 OF 1 REV: B			
CUSTOMER COPY				