

DATE CODE
 YYWW
 YY: YEAR(07~)
 WW: WEEK(01~52)

PART NO.
 2HE-5XUX-F01

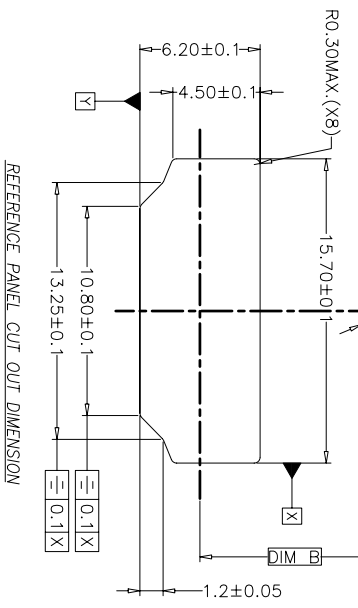
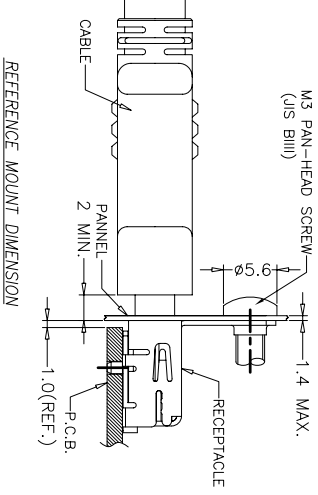
CONTACT PLATING
 F: 30μ" GOLD PLATED IN CONTACT AREA
 AND GOLD FLASH PLATED IN SOLDER AREA
 OVER 50μ" NICKEL UNDERPLATING

SHELL CONSTRUCTION
 0: WITH FLANGE AND WITHOUT TOP SPRING
 SOLDER TAIL IS SMT TYPE
 1: WITH FLANGE AND TOP SPRING
 SOLDER TAIL IS SMT TYPE

DIM A & B
 1: DIM A: ±0.05mm; DIM B: 9.97mm
 2: DIM A: ±0.05mm; DIM B: 7.97mm

- SPECIFICATIONS:
1. SEE "2HE-51XX SERIES" SPECIFICATIONS
 2. TO CONFORM TO SINGATRON HAZARDOUS SUBSTANCE FREE SPEC.
 3. GREEN PRODUCT IDENTIFICATION LABEL IN PACKING: **GREEN PASS**
 4. FOR WAVE SOLDERING LEAD-FREE PRODUCT.
 5. SOLDER HEAT RESISTANCE: 260°C 10SECS.
 6. PACKAGE : SEE "2HE-5XUX SERIES" PACKAGE.

REV.	ECN NO OR DESCRIPTION	REVISED	DATE
A	2HE-51UX-N01 → 2HE-51UX-X01 SERIES APPROVED PART NO. 2HE-51U1-F01 ADD D/C: Mylar, [0.10]	LULLU	2007.09.29
B	PDR NO. T090605-1A SERIES APPROVED 2HE-51UX-X01 → 2HE-5XUX-F01	AMYC	2009.07.09



E	INK	1	BLACK
D	MYLAR	1	
C	SHELL	1	BRASS 0.5t
B	CONTACT	19	PHOSPHOR BRONZE 0.2t
A	Housing	1	LCP
NO	DESCRIPTION	QTY	MATERIAL
	UNLESS OTHERWISE SPECIFIED TOLERANCES		PLATING & COLOR
	DECIMALS:	ANGLES:	
X	:±0.5	X	:±2°
X.X	:±0.3	X.X	:±1'
X.XX	:±0.2		
Singatron Enterprise Co., Ltd. 信音企業股份有限公司			
TITLE	HDMI RECEPTACLE SMT TYPE WITH FLANGE 19PIN		
DWN	ANC 2009.07.10	PART NO.	2HE-5XUX-F01
CHKD	ANSON 2009.07.10	SCALE: N/A	UNIT: mm
APVD	ANSON 2009.07.10	SIZE: A3	SHEET: 1 OF 1 REV: B
CUSTOMER COPY			