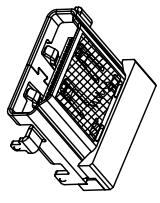
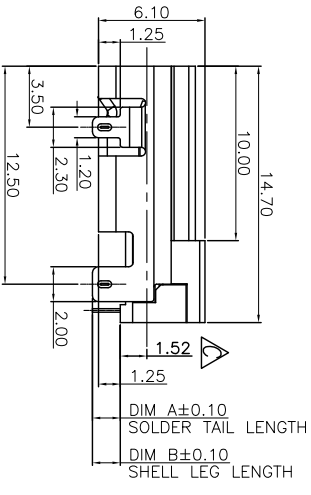
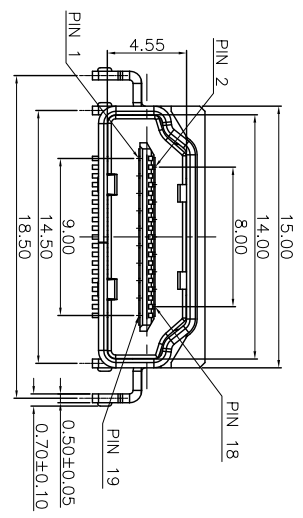
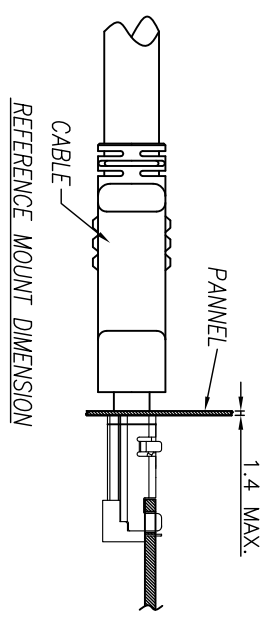
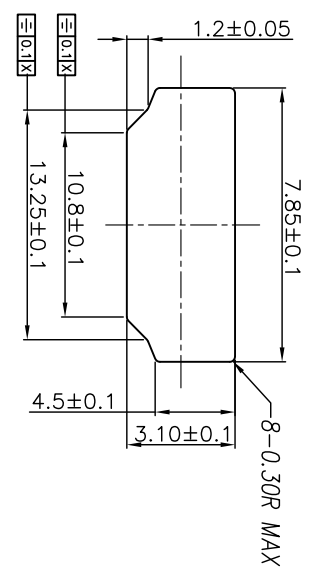
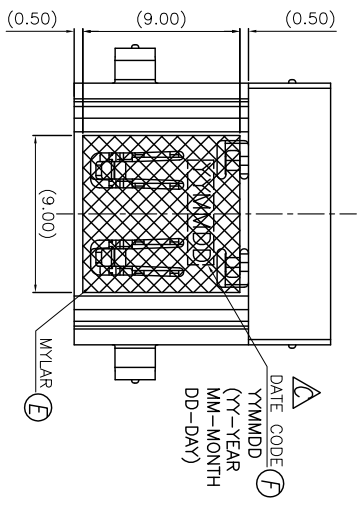
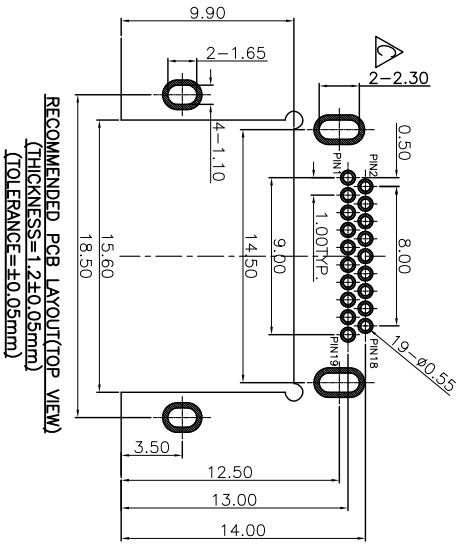
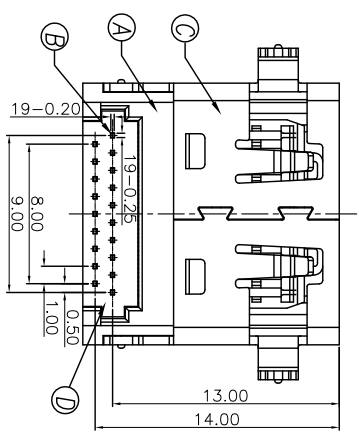


REV.	ECN NO. OR DESCRIPTION	REVISED	DATE
A	PDR Release	IRENE	2009.10.07
B	ECN NO.:1090085	WY-C	2009.12.24
C	ECN NO.:1100081	WY-C	2010.09.02



PART NO.
2HE1503-100111

PACKAGE I: TAPE & REEL
HOUSING COLOR I: BLACK
CONTACT PLATING I: 30μ" GOLD
DIM A&B I: DIM A_1.4mm ; DIM B_1.6mm



NO	DESCRIPTION	QTY	MATERIAL	PLATING & COLOR
F	INK	1		BLACK
E	MYLAR	1		
D	COVER	1	LCP UL 94V-0	BLACK COLOR
C	SHELL	1	BRASS_C2680	NICKEL PLATING
B	CONTACT	19	BRASS_C2680	GOLD PLATED OVER NICKEL ON CONTACT AREA AND GOLD FLATTY OVER NICKEL ON SOLDER TAILS
A	HOUSING	1	LCP UL 94V-0	BLACK COLOR

UNLESS OTHERWISE SPECIFIED TOLERANCES

DECIMALS: ANGLES:

X : ±0.5 X : ±2°
X.X : ±0.3 X.X : ±1°
X.XX : ±0.2

Singatron Enterprise Co., Ltd.
信亨企業股份有限公司

TITLE: HDMI FEMALE REVERSE DIP TYPE

DWN: M-C 2009.12.24 PART NO. 2HE1503-100111
CHKD: MNO-1 2009.12.24 SCALE: N/A UNIT: mm
APVD: MNO-1 2009.12.24 SIZE: A3 SHEET: 1 OF 1 REV: C

CUSTOMER COPY

- SPECIFICATIONS:**
- OTHER GENERAL SPEC. TO REFER "HDMI SERIES SPEC".
 - TO CONFORM TO SINGATRON HAZARDOUS SUBSTANCE FREE SPEC.
 - PACKAGE : SEE "2HE1503-100111" PACKAGE.
 - HALOGEN FREE PRODUCT IDENTIFICATION LABEL ON PACKAGING.
 - FOR REFLOW SOLDERING LEAD-FREE PROCESS.

