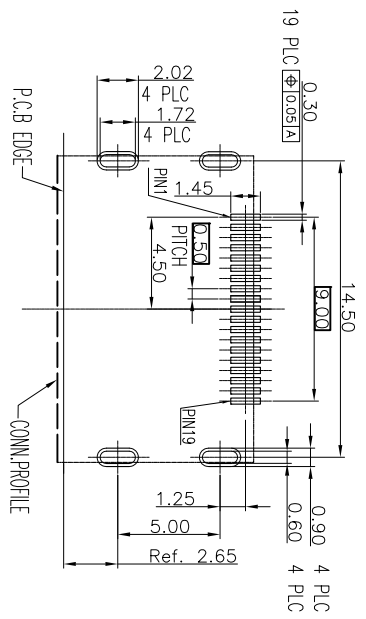
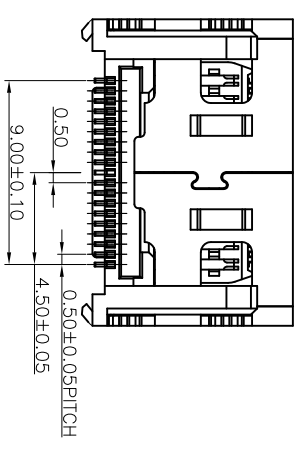
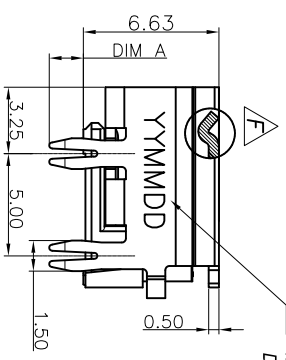
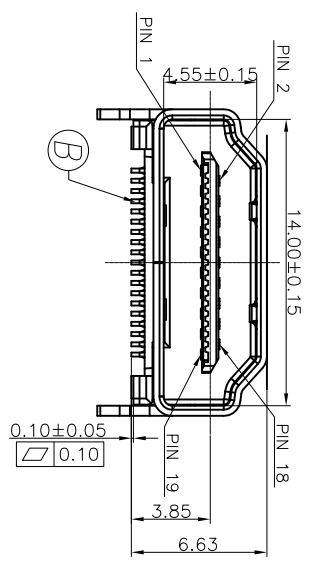


DATE CORE:
YYMMDD
(YY-YEAR
MM-MONTH
DD-DAY)



Recommend PCB Layout
Tolerance: ±0.05mm (Component Side)
Recommend PCB THICKNESS: 1.20mm

SPECIFICATIONS:

1. OTHER GENERAL SPEC. TO REFER "ZHE1503 SERIES SPEC".
2. TO CONFORM TO SINGATRON HAZARDOUS SUBSTANCE FREE SPEC.
3. HALOGEN FREE PRODUCT IDENTIFICATION LABEL ON PACKAGING.
4. REFLOW SOLDER CAPABLE 260°C 10SECS.
5. FOR REFLOW SOLDERING LEAD-FREE PROCESS.
6. PACKAGE: SEE "ZHE4000 SERIES " PACKAGE.

REV.	ECN NO.	OR DESCRIPTION	REVISED	DATE
C	PDR RELEASE / SERIES APPROVE		Amyc	2009.06.05
D	2HE1528-001111	2HE1528-001X11		2010.05.21
E	ECN NO. L100037		WY-C	2010.09.03
F	ECN NO. L100078		WY-C	2011.04.26

PART NO.
2HE1528-001X11

- PACKAGE
- 1: TAPE & REEL
- HOUSING COLOR
- 1: BLACK
- CONTACT PLATING
- 1: GOLD FLASH
- 2: GOLD 15u
- DIM A:
- 1: 1.8mm

E	INK		1	MYLAR	BLACK COLOR
D	INSULATION FILM		1	COPPER ALLOY	TIN PLATING
C	SHELL		19	COPPER ALLOY	SEE "PART NO"
B	CONTACT		1	LCP UL 94V-0	BLACK COLOR
A	HOUSING		1	MATERIAL	PLATING & COLOR
NO	DESCRIPTION	QTY			

UNLESS OTHERWISE SPECIFIED TOLERANCES

Singatron Enterprise Co., Ltd.

DECIMALS: ANGLES:

X : ±0.5 X : ±2°

X.X : ±0.3 X.X : ±1'

X.XX : ±0.2

TITLE: HDMI TYPE A FEMALE, SMT, REVERSE W/O FLANGE

PART NO. 2HE1528-001X11

SCALE: N/A UNIT: mm

SIZE: A3 SHEET: 1 OF 1 REV: F

CUSTOMER COPY