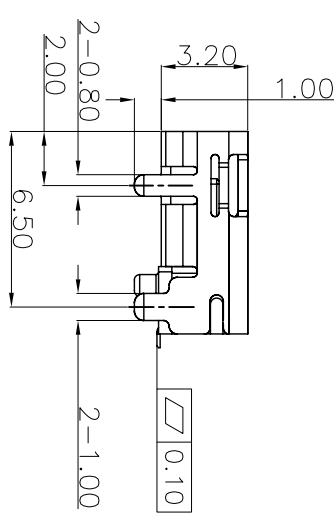
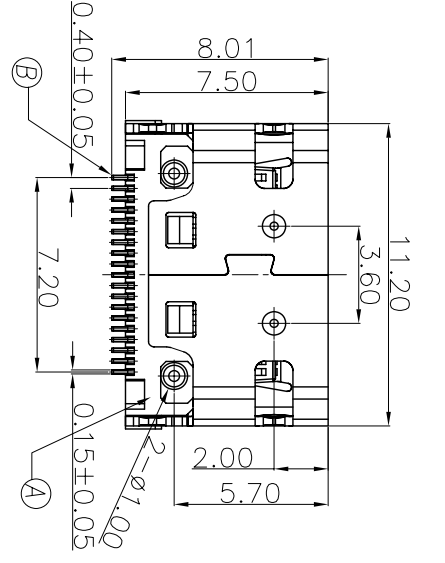
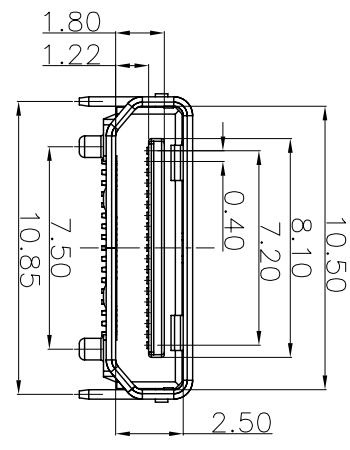
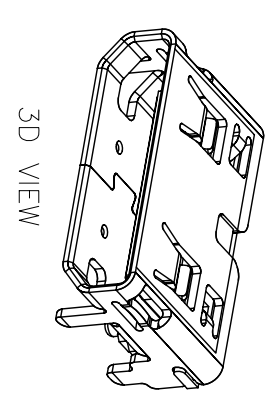
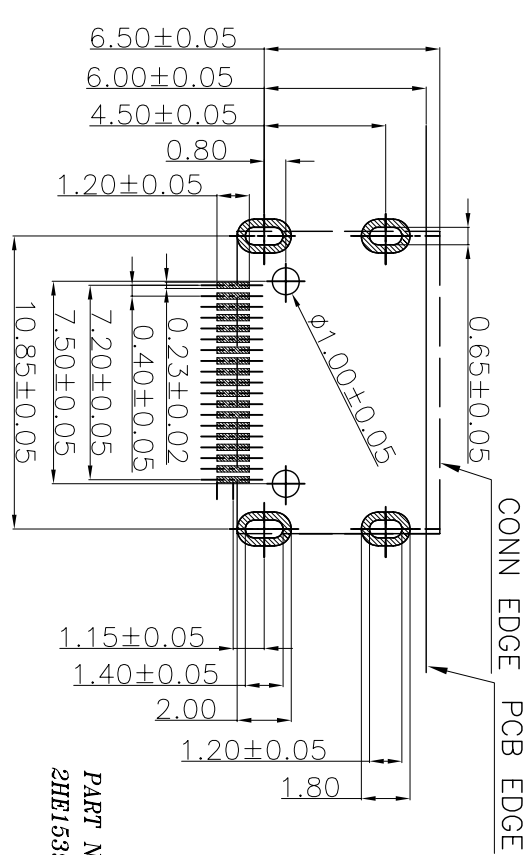
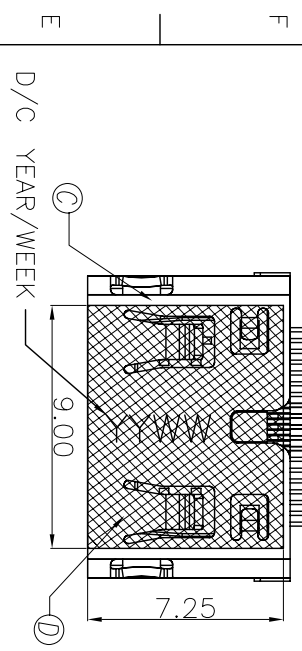


REV.	ECN NO.	OR DESCRIPTION	REVISED	DATE
A	PDR	RELEASE	AM/C	2009.08.17
B	ECR NO.	L090072	MY-C	2009.12.24



RECOMMENDED PCB LAYOUT(TOP VIEW)
(THICKNESS=0.8±0.05mm)

PART NO.
2HE1539-000111

PACKAGE
1: TAPE & REEL
HOUSING COLOR
1: BLACK
CONTACT PLATING
1: GOLD 15u" ON CONTACT AREA

- SPECIFICATIONS:
1. OTHER GENERAL SPEC. TO REFER "HDMI SERIES SPEC".
 2. TO CONFORM TO SINGATRON HAZARDOUS SUBSTANCE FREE SPEC.
 3. FOR REFLOW SOLDERING LEAD-FREE PROCESS.
 4. HALOGEN FREE PRODUCT IDENTIFICATION LABEL ON PACKAGING.
 5. PACKAGE : SEE "2HE1539 SERIES" PACKAGE.



NO	DESCRIPTION	QTY	MATERIAL	PLATING & COLOR
E	INK	1		BLACK
D	WVLAR	1		
C	SHELL	1	BRASS-C2680	Ni PLATING
B	CONTACT	19	PHOSPHOR BRONZE C5191	GOLD 15u" PLATING
A	HOUSING	1	LCP UL 94V-0	BLACK COLOR
NO	DESCRIPTION	QTY	MATERIAL	PLATING & COLOR

UNLESS OTHERWISE SPECIFIED TOLERANCES

TITLE	DECIMALS:	ANGLES:
MINI HDMI C TYPE Female	±0.5	X ±2°
	±0.3	X.X ±1°
	±0.2	X.XX

APVD	CHKD	DWN	DATE	SCALE	UNIT	SIZE	SHEET	REV
DMH-1-2009.12.24	DMH-1-2009.12.24	MC-2009.12.24	2009.12.24	A3	mm	A3	1 OF 1	B

CUSTOMER COPY

Singatron Enterprise Co., Ltd.
信音企業股份有限公司