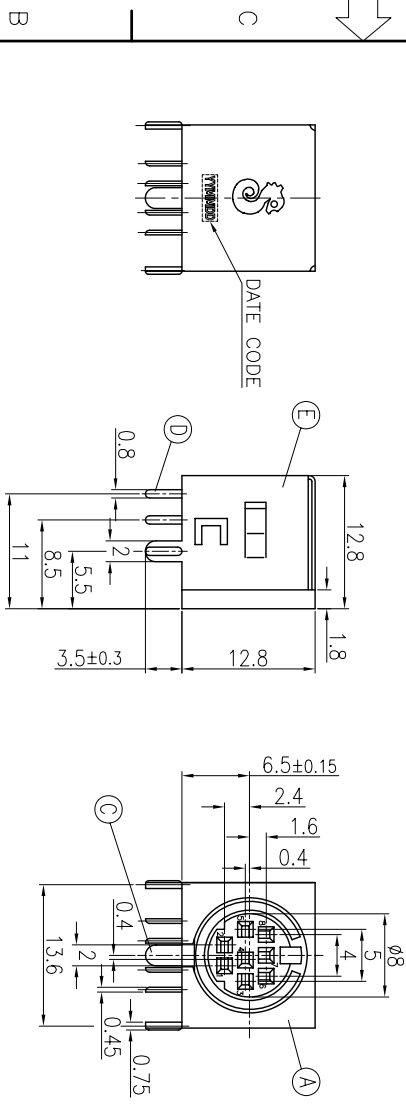


REV.	ECN NO.	OR DESCRIPTION	REVISED	DATE
C	ECN NO: 920001		EVENT	2005.5.20
D	ECN NO: T070287		AMY	2007.10.02
E		REUSE D/C AND QUSH OUT AND PRINT THE POSITION AND IS IN CONFORMITY WITH MATERIAL OBJECT	HAIHUA	2007.12.01
F		1.CHANGE THE NEW FRAME: 2.ECN NO.C080169.	JUNHUA	2008.09.16

ORDERING CODE: 2MJ-010XA120

SEE SERIES NO.



- NOTE:
1. PCB LAYOUT DRAWING:
  2. BOTTOM VIEW (SOLDER SIDE)
  3. SPECIFICATIONS: SEE 2MJ-0106 SERIES SPECIFICATIONS.
  4. MARKING: MARK "G" ON REAR OF CONNECTOR.
  5. \*SEE NO. OF CONTACTS.
  6. SOLDER HEAT RESISTANCE: WAVE SOLDERING 260°C 10 SECS.
  7. TO CONFORM TO SINGATRON HAZARDOUS SUBSTANCE FREE SPEC
  8. GREEN PRODUCT IDENTIFICATION MARK IN JACK: **G.P. PASS**
  9. GREEN PRODUCT IDENTIFICATION LABEL IN PACKING:
  10. FOR WAVE SOLDERING LEAD-FREE PROCESS.
  10. D/C DESCRIPTION: "YMMDD"

DAY  
MONTH  
YEAR

E	SHIELDING PLATE	1	BRASS 0.35T	TIN(Lead Free) PLATING
D	CONNECTOR	*	COPPER ALLOY 0.2T	SILVER PLATING
C	EARTH TERMINAL	1	BRASS 0.4T	TIN(Lead Free) PLATING
B	COVER	1	THERMOPLASTIC GF-UL 94V-0	BLACK COLOR
A	BODY	1	THERMOPLASTIC GF-UL 94V-0	BLACK COLOR
NO	DESCRIPTION		MATERIAL	PLATING & COLOR
UNLESS OTHERWISE SPECIFIED TOLERANCES				
DECIMALS: ANGLES:				
X	:±0.5	X	:±2°	
XX	:±0.3	XX	:±1°	
XXX	:±0.2			
TITLE: Singatron Enterprise Co., Ltd. 信音企業股份有限公司 MINIATURE DIN CONNECTOR				
PART NO. 2MJ-010XA120				
DWN	UNENL	RYAN	SCALE 2:1	UNIT: mm
CHKD	MU YUAN	2008.09.16	SIZE: A3	SHEET: 10F1
APVD	2008.09.16			REV: F
CUSTOMER COPY				

1 2 3 4 5 6 7 8