
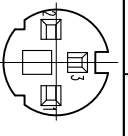
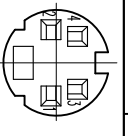
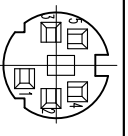
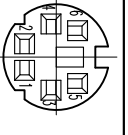
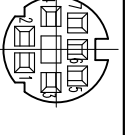
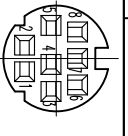
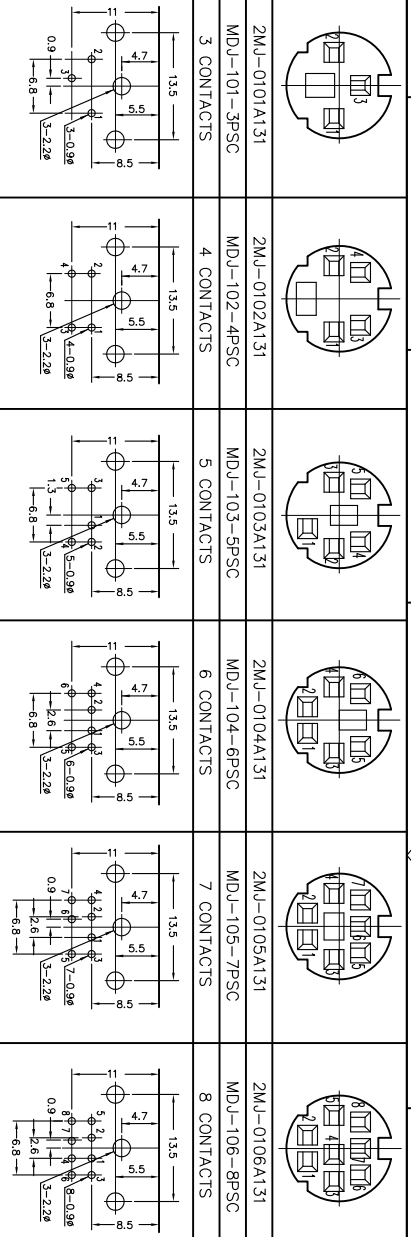




REV.	ECN NO OR DESCRIPTION	REVISED	DATE
C	ECN NO: 920008	AMY	2005.06.22
D	綠標機身 ECN NO.:10900047	KENSON	2009.8.21
E	ECN NO.: C100086	Lu Jian	2010.04.06

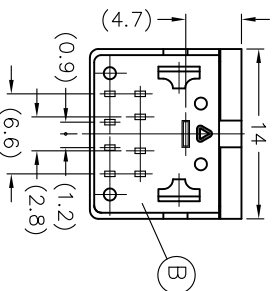
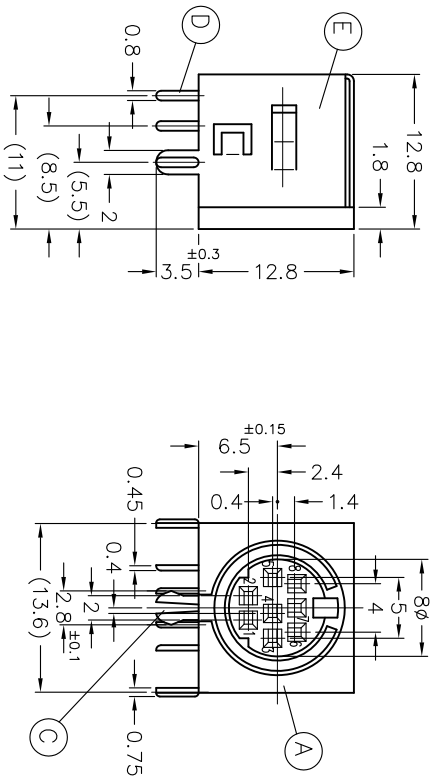
ORDERING CODE:



2MJ-010  A131

SEE SERIES NO.

ARRANGEMENT OF CONTACTS	1						2						3						4						5						6					
																																				
SERIES NO.	NEW	2MJ-0101A131	MDJ-101-3PSC	3 CONTACTS	2MJ-0102A131	MDJ-102-4PSC	4 CONTACTS	2MJ-0103A131	MDJ-103-5PSC	5 CONTACTS	2MJ-0104A131	MDJ-104-6PSC	6 CONTACTS	2MJ-0105A131	MDJ-105-7PSC	7 CONTACTS	2MJ-0106A131	MDJ-106-8PSC	8 CONTACTS																	
NO. OF CONTACTS	OLD																																			
PCB LAYOUT (SOLDER SIDE)																																				

- NOTE:
1. PCB LAYOUT DRAWING: BOTTOM VIEW (SOLDER SIDE)
 2. SPECIFICATIONS: SEE 2MJ-0106 SERIES SPECIFICATIONS.
 3. *SEE NO. OF CONTACTS.
 4. SOLDER HEAT RESISTANCE: WAVE SOLDERING 260°C 10SECS.
 5. TO CONFORM TO THE "SE-01-001" & "ROHS DIRECTIVE"
 6. GREEN PRODUCT IDENTIFICATION MARK IN JACK: 
 7. GREEN PRODUCT IDENTIFICATION LABEL IN PACKING: 
 8. FOR WAVE SOLDERING LEAD-FREE PROCESS.



E	SHIELDING PLATE	1	BRASS 0.35t	TIN(L/F) PLATING
D	CONTACTOR	*	PHOSPHOR BRONZE 0.2t	SILVER PLATING
C	EARTH TERMINAL	1	BRASS 0.4t	TIN(L/F) PLATING
B	COVER	1	PBT UL 94V-0	BLACK COLOR
A	BODY	1	PBT UL 94V-0	BLACK COLOR
NO	DESCRIPTION	QTY	MATERIAL	PLATING & COLOR
UNLESS OTHERWISE SPECIFIED TOLERANCES				
 Singapore Enterprise Co., Ltd. 信晉企業股份有限公司				
DECIMALS:	ANGLES:	TITLE		
X : ±0.5	X : ±2°	MINIATURE DIN CONNECTOR		
X.X : ±0.3	X.X : ±1°	DWN	日期: 2010.04.06	PART NO. 2MJ-010  A131 SERIES
X.XX : ±0.2		CHKD	SCALE: 2/1	UNIT: mm
		APVD	ROHM	SIZE: A3 SHEET: 1 OF 1 REV: B
CUSTOMER COPY				