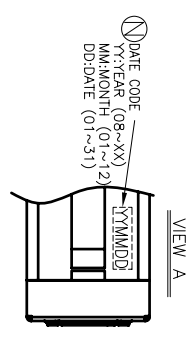


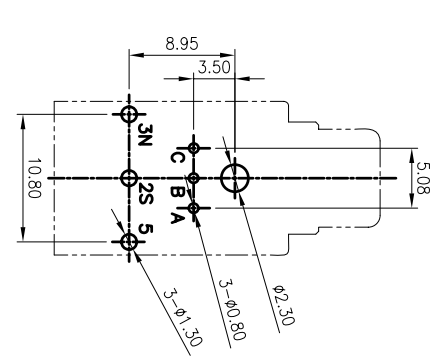
- SPECIFICATIONS:**
1. SEE "201-802B SERIES" SPECIFICATIONS.
  2. Reflow Solder Capable 260 C 10 Seconds
  3. TO CONFORM TO THE SINGATRON HSF SPECIFICATION"
  4. GREEN PRODUCT IDENTIFICATION LABEL IN PACKING: [GREEN]
  5. FOR WAVE SOLDERING LEAD-FREE PROCESS.
  6. PACKAGE : SEE "201-802B SERIES" PACKAGE.



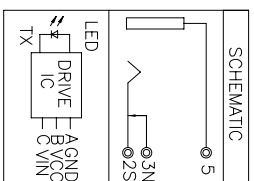
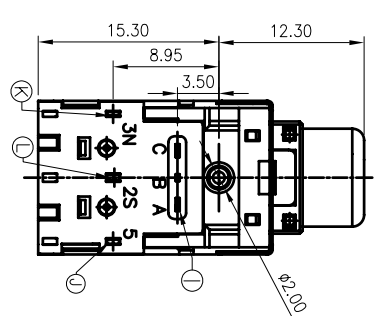
PART NO.  
201-802B-012

1	X	OPTO GATE COLOR	WASHER RCA COLOR
2	LIME(577C)		ORANGE(157C)

PLASTIC MATERIAL  
1: LCP



RECOMMENDED PCB LAYOUT  
<BOTTOM VIEW>  
NOTE : TOLERANCE FOR PCB LAYOUT IS ±0.05



N	INK	1		WHITE
M	SHIELDING	1	BRASS	NICKEL PLATING
L	CONTACT #2S	1	BRASS	TIN PLATING
K	CONTACT #3N	1	PHOSPHOR BRONZE	TIN PLATING
J	CONTACT #5	1	BRASS	TIN PLATING
I	DRIVE IC(TX)	1	TX UNIT	
H	OPTO SPRING	1	SUS 304	
G	OPTO GATE	1	PA9T UL 94V-0	SEE "PART NO."
F	OPTO FRAME	1	PA9T UL 94V-0	BLACK COLOR
E	BUSHING RCA	1	BRASS	NICKEL PLATING
D	WASHER RCA	1	PA9T UL 94V-0	SEE "PART NO."
C	COVER	1	PA9T UL 94V-0	BLACK COLOR
B	RCA HOUSING	1	PA9T UL 94V-0	BLACK COLOR
A	OPTO HOUSING	1	LCP	BLACK COLOR
NO	DESCRIPTION	QTY	MATERIAL	PLATING & COLOR

UNLESS OTHERWISE SPECIFIED TOLERANCES

DECIMALS:	ANGLES:
X : ±0.5	X : ±2°
X.X : ±0.3	X.X : ±1°
X.XX : ±0.2	

Singatron Enterprise Co., Ltd.  
信益企業股份有限公司

TITLE	OPTO W/ RCA JACK, SHUTTLE TYPE
DWN	DATE 2009.10.08
CHKD	SCALE: N/A
APVD	SIZE: A3
	SHEET: 1 OF 1
	REV: A

CUSTOMER COPY