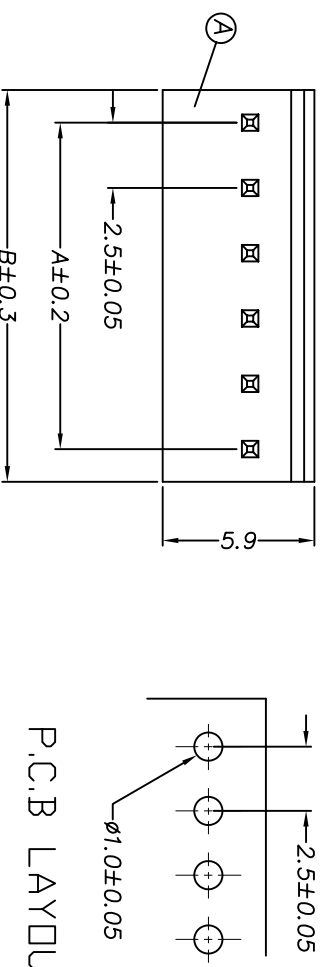


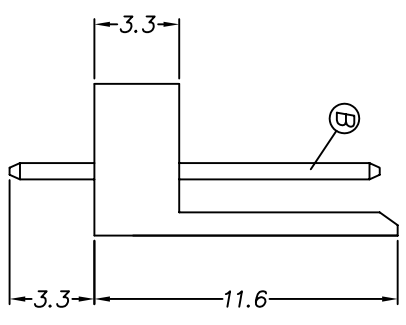
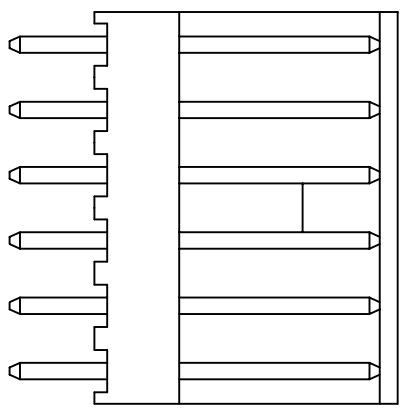
REV. ECN NO OR DESCRIPTION	REVISED	DATE
A PDR NO. 20060502-6	YK	2006.07.4



P.C.B LAYOUT

SPECIFICATION:

1. PITCH BETWEEN POLES : 2.5mm
2. CURRENT RATING : 3A AC/DC
3. VOLTAGE RATING : 250V AC/DC
4. CONTACT RESISTANCE : 20mΩ(max.)
5. INSULATION RESISTANCE : 1000MΩ MIN
6. WITHSTAND VOLTAGE : 800V AC/MINUTE
7. TEMPERATURE RANGE : -25°C TO +85°C
8. APPLICATION P.C.B THICKNESS : 1.6mm
9. APPLICATION P.C.B HOLD DIA Ø : 1.0mm±0.05
10. Solder heat resistance: for lead-free wave soldering
11. To Conform to the "SE-01-001" & "ROHS DIRECTIVE"
12. Green product identification label in packing: **G.P. PASS**
13. For wave soldering lead-free process.



- 2PH1508-0XX111**
- PACKAGE
 - 1: BAG
 - BODY COLOR
 - 1: WHITE
 - CONTACT PLATING
 - 1: TIN PLATING
 - NUMBER OF CONTACTS : 02~12

Dimensional and Order Information

Poles	Part No	DIM:(mm)		Poles	Part No	DIM:(mm)	
		A	B			A	B
2	2PH1508-002111	2.50	5.00	8	2PH1508-008111	17.50	20.00
3	2PH1508-003111	5.00	7.50	9	2PH1508-009111	20.00	22.50
4	2PH1508-004111	7.50	10.00	10	2PH1508-010111	22.50	25.00
5	2PH1508-005111	10.00	12.50	11	2PH1508-011111	25.00	27.50
6	2PH1508-006111	12.50	15.00	12	2PH1508-012111	27.50	30.00
7	2PH1508-007111	15.00	17.50				

B	CONTACT	*	BRASS	TIN PLATING
A	INSULATOR	1	NYLON-66 UL 94V-0	WHITE COLOR
NO	DESCRIPTION	QTY	MATERIAL	PLATING & COLOR
UNLESS OTHERWISE SPECIFIED TOLERANCES				
Singtron Enterprise Co., Ltd. 信管企業股份有限公司				
DECIMALS:	ANGLES:			
X : ±0.5	X : ±2'			
X.X : ±0.3	X.X : ±1'			
X.XX : ±0.2				
TITLE	2.5mm PITCH WIRE TO BOARD CONNECTOR 180°			
DWN	W 2006/4 PART NO. 2PH1508-0XX111			
CHKD	MW 2006/4 SCALE:5/1 UNIT: mm			
APVD	LMD 2006/4 SIZE: A3 SHEET:1 OF 1 REV: A			
CUSTOMER COPY				