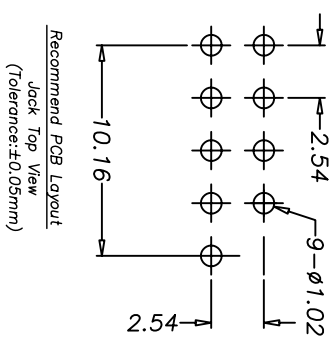


- SPECIFICATIONS:**
1. Current Rating: 3 Amps
 2. Insulator resistance: 5000 Megohms min.
 3. Dielectric withstanding: AC 500 V
 4. Operating Temperature: -40°C to +105°C
 5. SOLDER HEAT RESISTANCE: WAVE SOLDERING 260°C 10SECS.
 6. TO CONFORM TO THE "SE-01-001" & "ROHS DIRECTIVE"
 7. GREEN PRODUCT IDENTIFICATION LABEL IN PACKING: **G.P. PASS**
 8. SEE "2PH1512 SERIES SPEC"
 9. PACKING: SEE "2PH1512 SERIES"



PART NO.
2PH1513-000111

PACKAGE
 1: BAG

HOUSING COLOR
 1: YELLOW

CONTACT PLATING
 1: Gold Flash Over Nickel Plating 50u"

B	CONTACT	9	BRASS	GOLD FLASH OVER NICKEL PLATING 50u"
A	INSULATOR DESCRIPTION	1	PBT UL 94V-0	YELLOW COLOR
	UNLESS OTHERWISE SPECIFIED TOLERANCES	QTY	MATERIAL	PLATING & COLOR
DECIMALS:	ANGLES:	Singatron Enterprise Co., Ltd. 信晉企業股份有限公司		
X : ±0.5	X : ±2°	TITLE	2.54mm (0.1") PIN HEADER (2202 SERIES)	
X.X : ±0.3	X.X : ±1°	DWN	Jul 2007.029	PART NO. 2PH1513-000111
X.XX : ±0.2		CHKD	JANSON 2007.029	SCALE: 1/1 UNIT: mm
		APVD	JANSON 2007.029	SIZE: A3 SHEET: 1 OF 1 REV: A

CUSTOMER COPY

REV	EGN NO	OR DESCRIPTION	REVISED	DATE
A		PDR RELEASE	LULU	2007.10.26