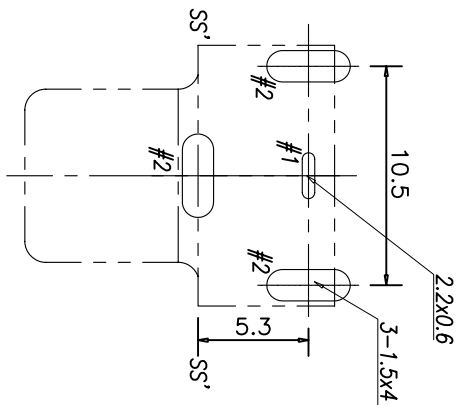
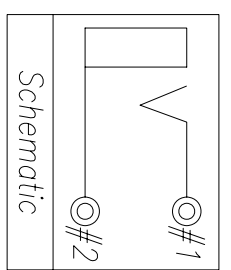
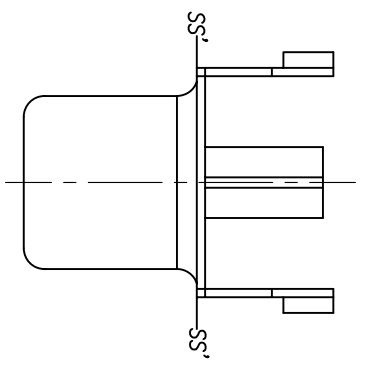
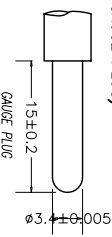


REV. ECN NO OR DESCRIPTION	REVISED	DATE
A PDR RELEASE	EVA	2009.11.30



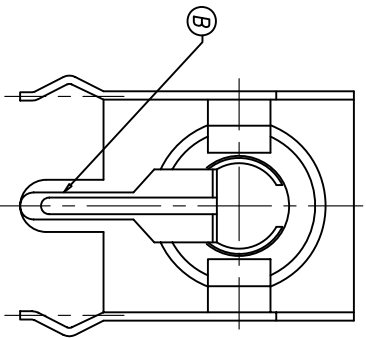
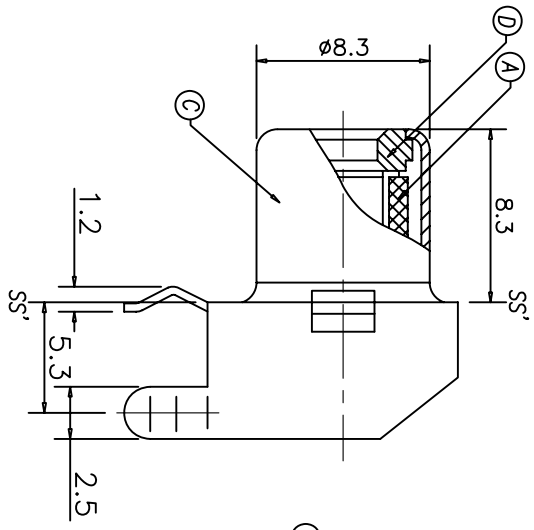
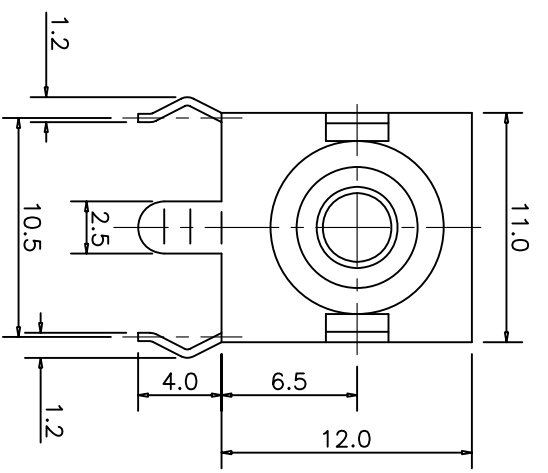
Recommend PCB Layout
(Jack Top View)

Tolerance: $\pm 0.05\text{mm}$
Recommend PCB Thickness: 1.6mm



- SPECIFICATIONS:
1. Voltage and Current Rating: 12V & 1A
 2. CONTACT RESISTANCE: 30m Ω MAX.
 3. DIELECTRIC STRENGTH: 500V FOR 1 MINUTE.
 4. INSULATION RESISTANCE: 100M Ω MIN. AT 500V DC.
 5. INSERTION FORCE: 3kgf MAX.
 6. WITHDRAWAL FORCE: 0.3kgf MIN.
 7. WITHDRAWAL FORCE FOR CENTER CONTACT TERMINAL: 0.08kgf MIN.(USE GAUGE PLUG)
 8. GAUGE PLUG:

9. TERMINAL STRENGTH: THE TERMINAL SHALL BE CAPABLE OF WITHSTANDING A FORCE OF 3KG APPLIED IN ANY DIRECTION FOR 0.5 SECONDS WITHOUT LOSSING AND BREAKDOWN
10. LIFE TEST:
THE LIFE TEST TO BE MADE BY 1500 CYCLES OF INSERTION AND EXTRACTION WITH THE MATCHING PLUG AT A RATE OF 20 TO 30 CYCLES PER MINUTE UNDER NO LOAD.
11. SOLDER HEAT RESISTANCE: WAVE SOLDERING 260°C 5 SECS.
12. TO CONFORM TO SINGATON HAZARDOUS SUBSTANCE FREE SPEC.
13. PACKAGE : SEE "2PJ-0103 SERIES" PACKAGE
14. GREEN PRODUCT IDENTIFICATION LABEL IN PACKING: **[G.F. PASS]**
15. FOR WAVE SOLDERING LEAD-FREE PROCESS.
16. SEE " RCA PRODUCT SERIES " SPECIFICATIONS.



PART NO.
2PJ-0103-009

WASHER COLOR
SEE "TABLE 1"
TERMINAL / SLEEVE PLATING
0 : TIN PLATING

NO	DESCRIPTION	QTY	MATERIAL	PLATING & COLOR
D	Washer	1	PBT UL94V-0	SEE "TABLE 1"
C	Sleeve	1	Brass, 0.4t (H62)	SEE "PART NO."
B	Terminal	1	Brass, 0.25t (H62)	SEE "PART NO."
A	Insulator	1	PBT UL94V-0	BLACK COLOR

UNLESS OTHERWISE SPECIFIED TOLERANCES

DECIMALS: ANGLES:

X	: ± 0.5	X	: $\pm 2^\circ$
X.X	: ± 0.3	X.X	: $\pm 1^\circ$
X.XX	: ± 0.2		

Singaton Enterprise Co., Ltd.
信音企業股份有限公司

PIN JACK

PART NO. 2PJ-0103-009

DWN	Johnson 12/01	SCALE: N/A	UNIT: mm
CHKD	Johnson 12/01	SIZE: A3	SHEET: 1 OF 1
APVD	David 12/01	REV: A	

CUSTOMER COPY

"TABLE 1"

PART NO	WASHER COLOR
2PJ-0103-009	YELLOW COLOR

