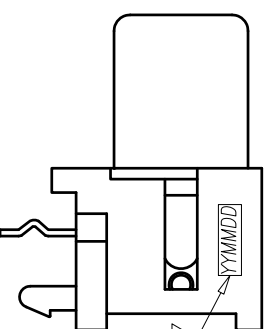
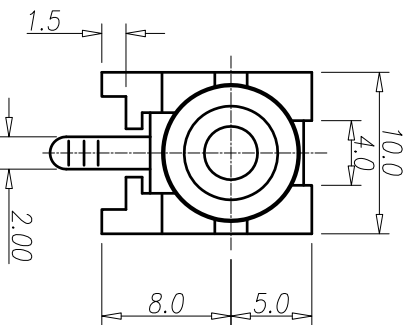
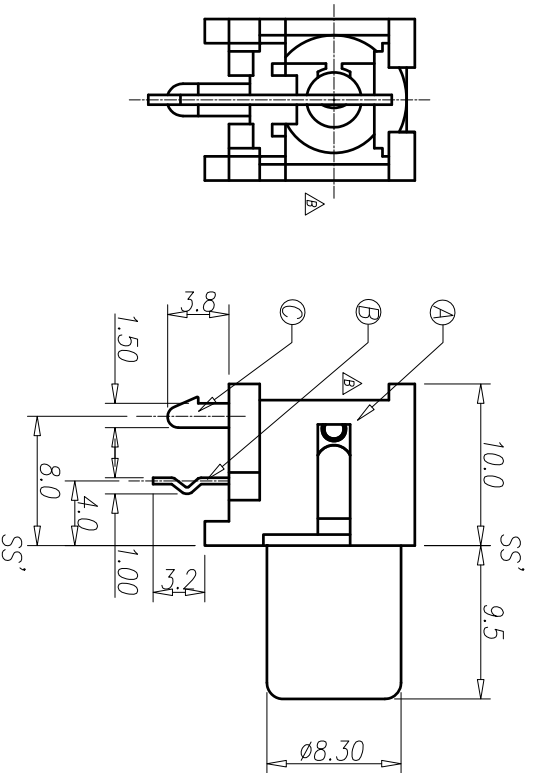


REV.	ECN NO.	OR DESCRIPTION	REVISED	DATE
A	PDR RELEASE		AMYC	2009.09.07
B	ECR NO.:100031		IVY-C	2010.05.20

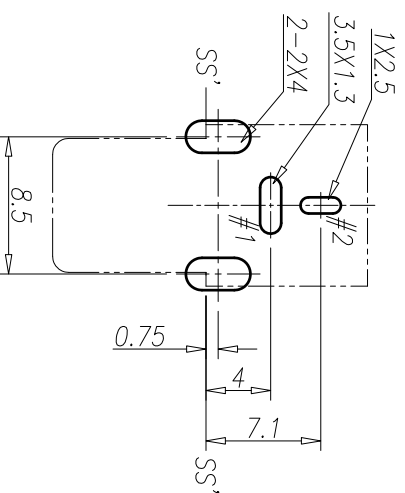
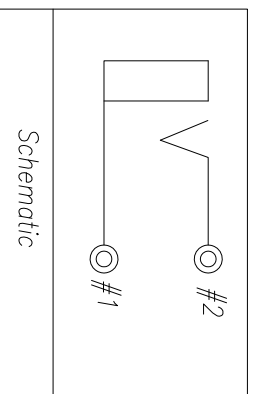
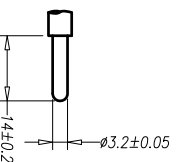


① Date Code
 YY: YEAR(08~)
 MM: MONTH(01~12)
 DD: DAY(01~31)



SPECIFICATION

- Voltage and Current Rating: 12V & 1A
- Contact resistance: 30mΩ MAX
- Insulation resistance: 100MΩ MIN @ DC500V
- Withstand voltage: 500VAC for 1min
- Insertion Force: 3kgf MAX
- Extraction Force: 0.3kgf MIN
- Withdraw Force for Center Contact: 0.08kgf MIN (Use a OD=3.2±0.05mm, length=14±0.2mm Gauge Plug)
- Terminal Strength: The terminal shall be capable of withstanding a force of 3kgf applied in any direction for 0.5 secs without losing and breakdown
- Life test: 1,500 cycles
- Temperature Range: -25°C~70°C
- OTHER GENERAL SPEC. TO REFER "RCA PRODUCT SPEC".
- Solder heat resistance: wave soldering 260°c 5 secs
- TO CONFORM TO SINGATRON HAZARDOUS SUBSTANCE FREE SPEC.
- PACKAGE : SEE "2PJ-0848HY11" PACKAGE.
- GREEN PRODUCT IDENTIFICATION LABEL ON PACKAGING: **G.P. PASS**
- FOR WAVE SOLDERING LEAD-FREE PROCESS.



Recommend PCB Layout
 (Jack Top View)
 Tolerance: ±0.05mm
 Recommend PCB Thickness: 1.6mm

TABLE 1 "

PART NO.	Housing Color
2PJ-0848HY11	YELLOW

NO	DESCRIPTION	QTY	MATERIAL	PLATING & COLOR
D	Ink	1	Dominio IR-270BK & MC-270BK	BLACK
C	Terminal #2	1	Brass, T=0.5mm	CuSn Plating
B	Terminal #1	1	Brass, T=0.4mm	CuSn Plating
A	Housing	1	PBT UL94V-0	SEE "TABLE 1"

UNLESS OTHERWISE SPECIFIED TOLERANCES

DECIMALS:	ANGLES:
X : ±0.5	X : ±2°
X.X : ±0.3	X.X : ±1°
X.XX : ±0.2	

TITLE	RCA Jack 1*1 Port, R/A, T/H
DWN	HW-C 2010.05.20
CHKD	HW-M 1 2010.05.20
APVD	HW-M 1 2010.05.20

PART NO. 2PJ-0848HY11
 SCALE: N/A
 UNIT: mm
 SIZE: A3
 SHEET: 1 OF 1
 REV: B

Singatron Enterprise Co., Ltd.
 信音企業股份有限公司

CUSTOMER COPY