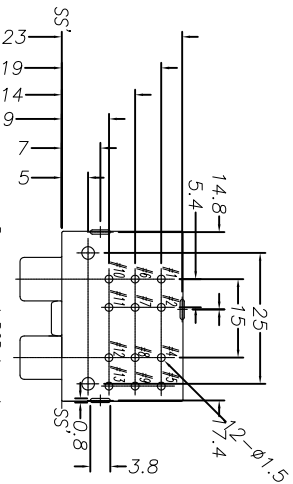
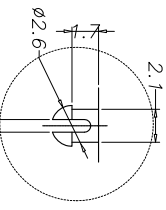
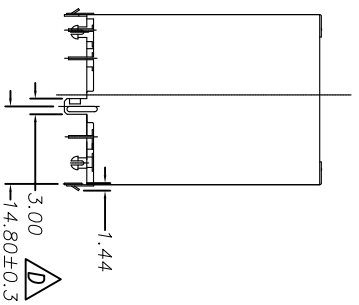
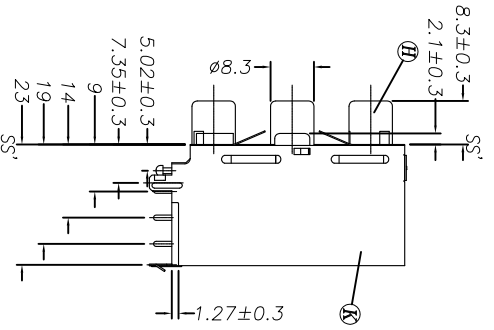
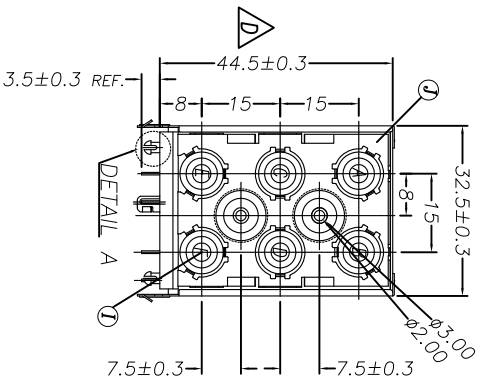


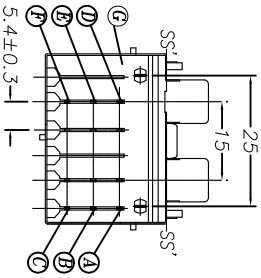
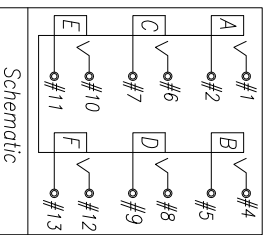
REV.	ECN NO OR DESCRIPTION	REVISED	DATE
A	PDR NO.20051103-3	BERYL	2006.2.14
B	SERIES APPROVAL : 2PJ-256V-003/004	EVEN	2006.6.9
C	PDR RELEASE	AMVC	2009.06.03
D	ECR NO:L100020	IVY-C	2010.05.03

SPECIFICATION
CONFORMING TO "2PJ-256V SERIES" SPECIFICATION.

- Voltage and Current Rating: 12V & 1A
- Contact resistance: 30mΩ max.
- Insulation resistance: 100MΩ (min) @ DC500V
- Withstand voltage: 500VAC for 1min
- Insertion Force: 3kgf max.
- Withdraw Force: 0.3kgf min.
- Withdraw Force for Center Contact: 0.08kgf min. (USE A OD=3.2±0.005mm, Length=14±0.2mm Gauge Plug)
- Terminal Strength: The terminal shall be capable of withstanding a force of 3kgf applied in any direction for 10 seconds without losing and breakdown
- Life test: 1500 cycles
- Temperature Range: -25°C~70°C
- Solder heat resistance: wave soldering 260°C 10 secs
- To conform to the "SE-01-001" & "RHIS directive".
- Green product identification label in packing: [GR PASS]
- For wave soldering lead-free process.
- PACKAGE : SEE "2PJ-256V SERIES" PACKAGE



Recommend PCB layout
(lock top View)
Tolerance: ±0.05mm
Recommend PCB THICKNESS: 1.6mm



2PJ-256V-00X

SEE "TABLE 1"

"TABLE 1"

PART NO.	WASHER a COLOR	WASHER b COLOR	WASHER c COLOR	WASHER d COLOR	WASHER e COLOR	WASHER f COLOR
2PJ-256V-001	YELLOW	GREEN	WHITE	BLUE	RED	RED
2PJ-256V-002	RED	WHITE	RED	WHITE	YELLOW	ORANGE
2PJ-256V-003	ORANGE	GREEN	WHITE	BLUE	RED	RED
2PJ-256V-004	YELLOW	YELLOW	WHITE	WHITE	RED	RED
2PJ-256V-005	GREEN	WHITE	BLUE	RED	RED	YELLOW

PART NO.	WASHER a COLOR	WASHER b COLOR	WASHER c COLOR	WASHER d COLOR	WASHER e COLOR	WASHER f COLOR
2PJ-256V-001	YELLOW	GREEN	WHITE	BLUE	RED	RED
2PJ-256V-002	RED	WHITE	RED	WHITE	YELLOW	ORANGE
2PJ-256V-003	ORANGE	GREEN	WHITE	BLUE	RED	RED
2PJ-256V-004	YELLOW	YELLOW	WHITE	WHITE	RED	RED
2PJ-256V-005	GREEN	WHITE	BLUE	RED	RED	YELLOW



K	Back shell	1	TINPLATE T=0.30mm
J	Front shell	1	SUS 304 0.2t
I	Washer	1	PBT UL 94V-0
H	Sleeve	6	C2680 0.4t
G	Housing	1	ABS UL94-HB
F	Contact C	2	C2680 0.4t
E	Contact B	2	C2680 0.4t
D	Contact A	2	C2680 0.4t
C	Terminal C	2	C2680 0.4t
B	Terminal B	2	C2680 0.4t
A	Terminal A	2	C2680 0.4t
NO	DESCRIPTION	QTY	MATERIAL

UNLESS OTHERWISE SPECIFIED TOLERANCES

DECIMALS: ANGLES:

X : ±0.5 X : ±2°
X.X : ±0.3 X.X.X : ±1°
X.XX : ±0.2

TITLE	PIN JACK
DWN: W-4.200000	PART NO. 2PJ-256V-00X
CHKD: WNH-200000	SCALE: 1/1
APVD: WNH-200000	SIZE: A3
SHEET: 1 OF 1 REV: D	

CUSTOMER COPY