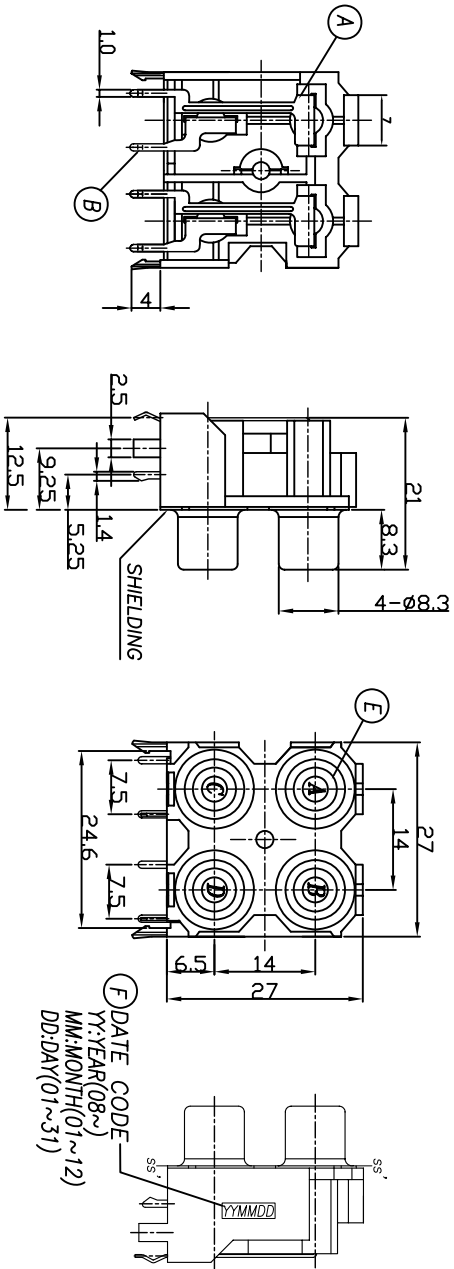


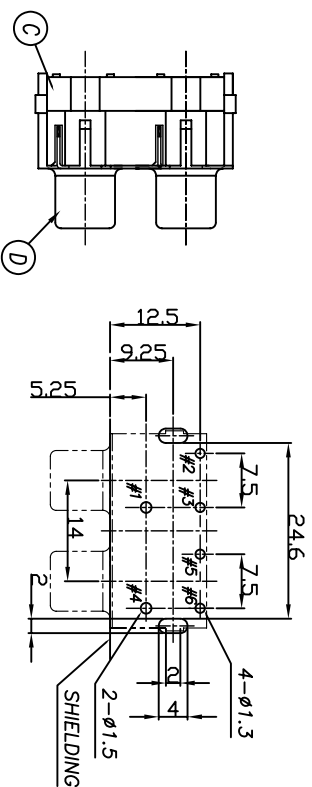
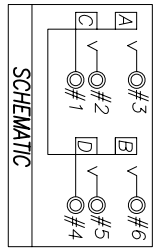
REV.	ECN NO OR DESCRIPTION	REVISED	DATE
A	SERIES APPROVE 2PJ-R22R-C01->2PJ-R22R-CXX PART NO.2PJ-R22R-C09/C10	KIKI	2008.4.14
B	PDR RELEASE	AM/C	2009.06.11
C	PDR RELEASE	IV-C	2010.01.04



DATE CODE  
YY:YEAR(08~)  
MM:MONTH(01~12)  
DD:DAY(01~31)

**SPECIFICATION**

- Voltage and Current Rating: 12V & 1A
- Contact resistance: 30m<sup>2</sup> (max)
- Insulation resistance: 100M<sup>2</sup> (min) @DC500V
- Withstand voltage: 500VAC for 1min
- Insertion Force: 3Kgf max.
- Withdraw Force: 0.3Kgf min.
- Withdraw Force for Center Contact: 0.08Kgf min. (Use a OD=3.2 ±0.005mm, Length=14±0.2mm Gauge Plug)
- Terminal Strength: The terminal shall be capable of withstanding a force of 3Kgf applied in any direction for 0.5 seconds without losing and breakdown
- Life test: 1,500 cycles
- Temperature Range: -25°C~70°C
- GREEN PRODUCT IDENTIFICATION LABEL IN PACKING: **G.P. PASS**
- SOLDER HEAT RESISTANCE: WAVE SOLDERING 260°C 10SECS.
- TO CONFORM TO THE SINGATRON HSF SPECIFICATION".
- SEE "RCA PRODUCT SERIES" SPECIFICATION
- PACKAGE : SEE " 2PJ-R22R SERIES" PACKAGE



Recommend PCB Layout  
<lack Top View>  
Tolerance:±0.05mm

"TABLE 1"

PART NO.	A	B	C	D	D/C
2PJ-R22R-C01	WHITE	RED	WHITE	RED	
2PJ-R22R-C07	RED	BLUE	YELLOW	GREEN	○
2PJ-R22R-C09	GREEN	BLUE	YELLOW	WHITE	○
2PJ-R22R-C10	RED	WHITE	RED	RED	○
2PJ-R22R-C11	GREEN	BLUE	YELLOW	RED	○

PART NO.  
2PJ-R22R-CXX  
WASHER COLOR  
SEE "TABLE 1"  
CONTACT PLATING  
R: CuSn

F	INK	1	Domino IR-270BK & MC-270BK	BLACK
E <td>WASHER</td> <td>4</td> <td>PBT UL94V-0</td> <td>SEE "TABLE 1"</td>	WASHER	4	PBT UL94V-0	SEE "TABLE 1"
D <td>SLEEVE</td> <td>1</td> <td>BRASS 0.4t</td> <td>CuSn PLATING</td>	SLEEVE	1	BRASS 0.4t	CuSn PLATING
C <td>HOUSING</td> <td>1</td> <td>PBT UL94V-0</td> <td>BLACK COLOR</td>	HOUSING	1	PBT UL94V-0	BLACK COLOR
B <td>TERMINAL #2.5</td> <td>2</td> <td>BRASS 0.4t</td> <td>CuSn PLATING</td>	TERMINAL #2.5	2	BRASS 0.4t	CuSn PLATING
A <td>TERMINAL #3.6</td> <td>2</td> <td>BRASS 0.4t</td> <td>CuSn PLATING</td>	TERMINAL #3.6	2	BRASS 0.4t	CuSn PLATING
NO	DESCRIPTION	QTY	MATERIAL	PLATING & COLOR

UNLESS OTHERWISE SPECIFIED TOLERANCES  
Singatron Enterprise Co., Ltd.  
信音企業股份有限公司

DECIMALS:	ANGLES:	TITLE	PIN JACK
X :±0.5	X :±2°	DWN	W-4 2000104
X.X :±0.3	X.X :±1°	CHKD	W-1 2000104
X.XX :±0.2		APVD	W-1 2000104

PART NO. 2PJ-R22R-CXX  
SCALE:N/A  
UNIT: mm  
SHEET:1 OF 1  
REV:C  
CUSTOMER COPY