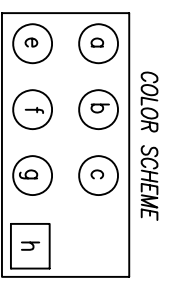
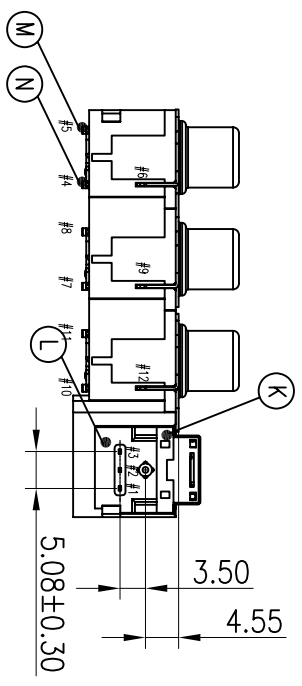
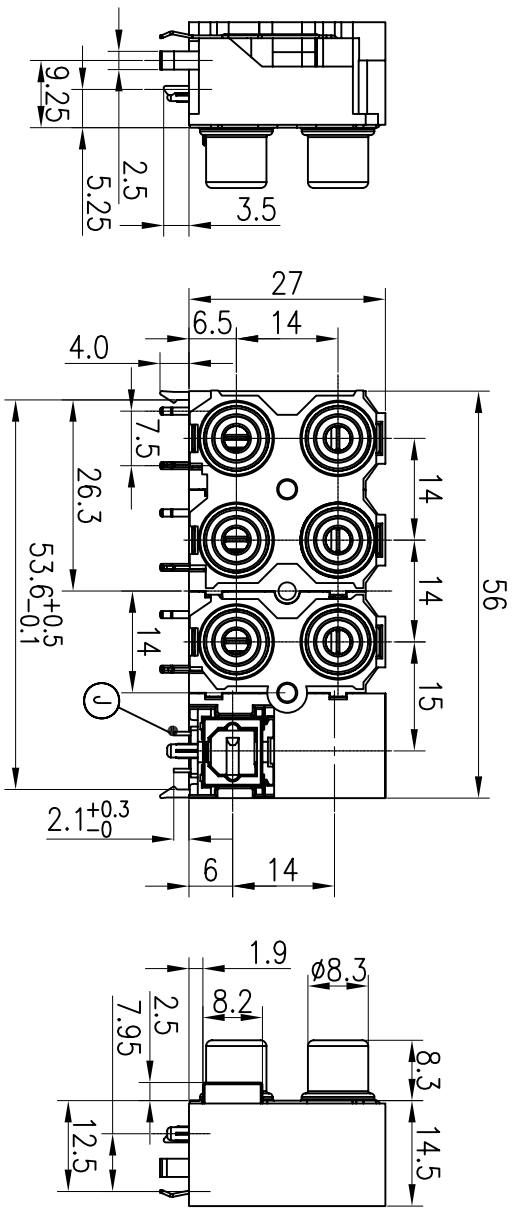


REV. ECN NO OR DESCRIPTION	REVISED DATE
A PDR RELEASE	David-T 2009.10.06

- SPECIFICATIONS:
1. SEE "2PJ1585 SERIES" SPECIFICATION
 2. TO CONFORM TO SINGATRON HAZARDOUS SUBSTANCE FREE SPEC.
 3. GREEN PRODUCT IDENTIFICATION LABEL ON PACKAGING: [G3, B3]
 4. PACKAGE: SEE "2PJ1585 SERIES" PACKAGE.
 5. FOR WAVE SOLDERING LEAD-FREE PROCESS.

PART NO.
2PJ1585-000111

PACKAGE
1: TRAY
HOUSING COLOR
1: BLACK
CONTACT PLATING
1: CUSH



"TABLE 1"

PART NO.	COLOR SCHEME							
	a	b	c	e	f	g	h	
2PJ1585-000111	YELLOW 116C	WHITE ---	RED 193C	GREEN 341C	BLUE 281C	RED 193C	LIME 577C	

COLOR SCHEME

NO	DESCRIPTION	QTY	MATERIAL	PLATING & COLOR
N	Terminal #4,7,10	3	Brass	CuSn Plating
M	Terminal #5,8,11	3	Brass	CuSn Plating
L	Cover	1	PA9T UL94V-0	Black
K	Frame-2	1	LCP UL94V-0	Black
J	Drive IC (Tx)	1	16Mbps	Black
I	Frame-1	1	PA66 UL94V-0	Black
H	Gate	1	PA66 UL94V-0	LIME(#577C)
G	Spring	1	Stainless Steel	
F	Outer Contact(2 Holes)	1	Brass	CuSn Plating
E	Housing-R	1	PBT UL94V-0	Black
D	Housing-M	2	PBT UL94V-0	Black
C	Housing-L	1	PBT UL94V-0	Black
B	Washer	6	PBT UL94V-0	See "TABLE 1"
A	Outer Contact(4 Holes)	1	Brass	CuSn Plating

UNLESS OTHERWISE SPECIFIED TOLERANCES

DECIMALS: ANGLES:

X : ±0.5 X : ±2°

X.X : ±0.3 X.X : ±1°

X.XX : ±0.2 X.XX : ±0.2

Singatron Enterprise Co., Ltd.
信音企業股份有限公司

RCA Jack+Toslink, 2x4 Ports, R/A, T/H, With Shielding

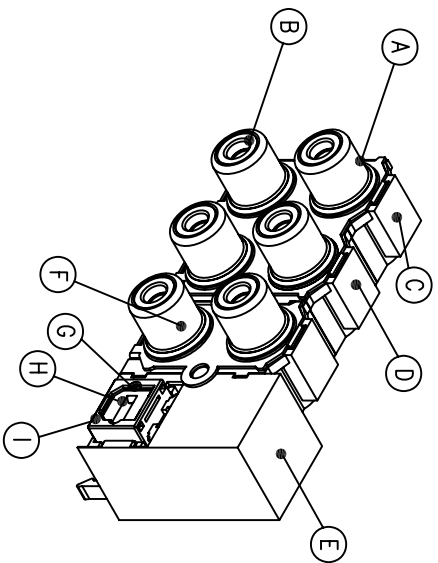
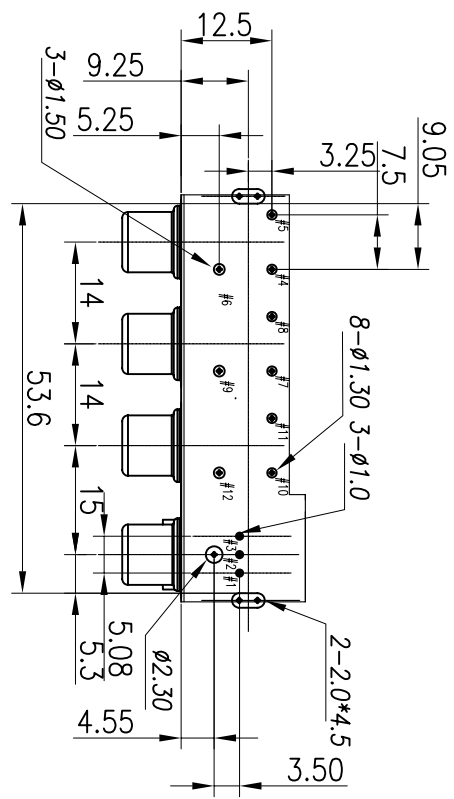
AWC 2009.10.06 PART NO. 2PJ1585-000111

CHKD DMD 2009.10.06 SCALE 1:1 UNIT: mm

APVD DMD 2009.10.06 SIZE: A3 SHEET: 1 OF 2 REV: A

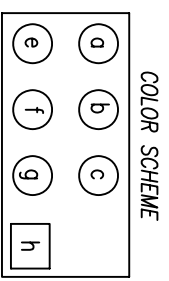
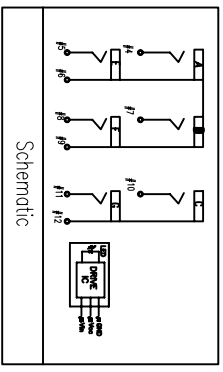
CUSTOMER COPY

REV.	ECN NO.	OR DESCRIPTION	REVISED	DATE
A	PDR	RELEASE	David-T	2009.10.06



Recommend PCB Layout
(Jack Top View)

Tolerance: $\pm 0.05\text{mm}$
Recommend PCB Thickness: 1.6mm



"TABLE 1"

PART NO.	COLOR SCHEME							
	a	b	c	e	f	g	h	
2PJ1585-000111	YELLOW	WHITE	RED	GREEN	BLUE	RED	LIME	
	116C	---	193C	341C	281C	193C	577C	

NO	DESCRIPTION	QTY	MATERIAL	PLATING & COLOR
N	Terminal #4,7,10	3	Brass	CuSn Plating
M	Terminal #5,8,11	3	Brass	CuSn Plating
L	Cover	1	PA9T UL94V-0	Black
K	Frame-2	1	LCP UL94V-0	Black
J	Drive IC (Tx)	1	16Mbps	Black
I	Frame-1	1	PA66 UL94V-0	Black
H	Gate	1	PA66 UL94V-0	LIME(#577C)
G	Spring	1	Stainless Steel	
F	Outer Contact(2 Holes)	1	Brass	CuSn Plating
E	Housing-R	1	PBT UL94V-0	Black
D	Housing-M	2	PBT UL94V-0	Black
C	Housing-L	1	PBT UL94V-0	Black
B	Washer	6	PBT UL94V-0	See "TABLE 1"
A	Outer Contact(4 Holes)	1	Brass	CuSn Plating

UNLESS OTHERWISE SPECIFIED TOLERANCES:
DECIMALS: ANGLES:
X : ± 0.5 X : $\pm 2^\circ$
X.X : ± 0.3 X.X : $\pm 1^\circ$
X.XX : ± 0.2

Singatron Enterprise Co., Ltd.
信音企業股份有限公司

TITLE: RCA Jack+Toslink, 2*4 Ports, R/A, T/H, With Shielding
DWN: AUC 2009.10.06 PART NO. 2PJ1585-000111
CHKD: DMD 2009.10.06 SCALE 1:1 UNIT: mm
APVD: DMD 2009.10.06 SIZE: A3 SHEET: 2 OF 2 REV: A
CUSTOMER COPY