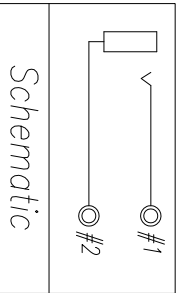
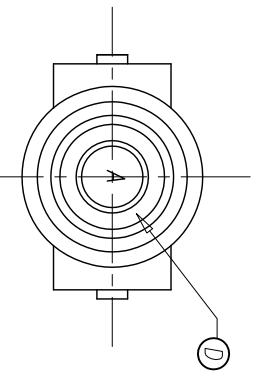
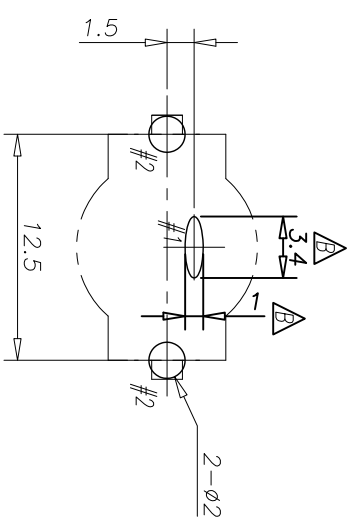
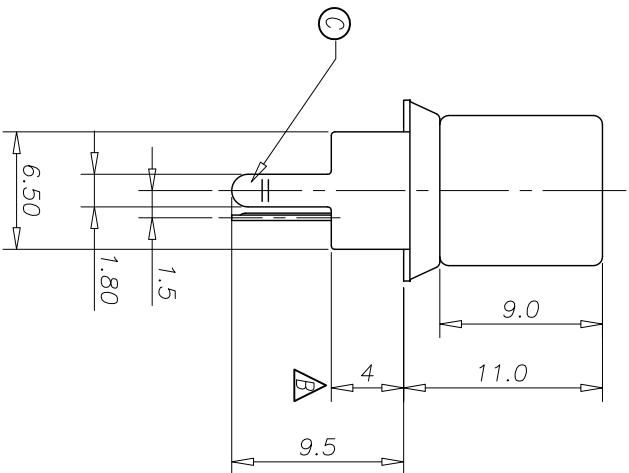
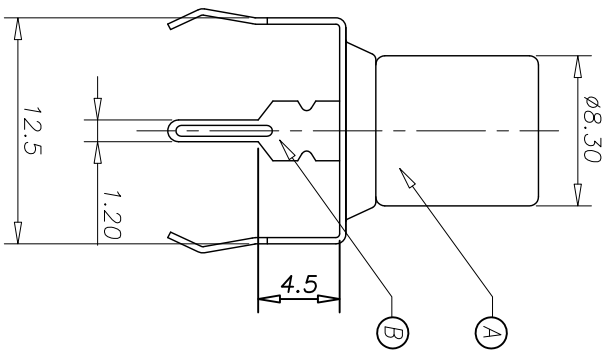


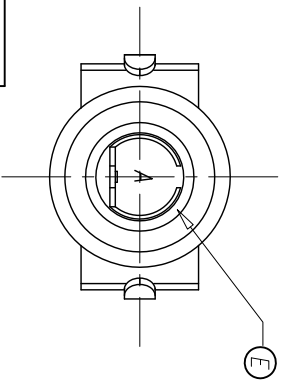
REV.	ECN NO.	OR DESCRIPTION	REVISED	DATE
A	PDR	RELEASE	AMYC	2009.06.17
B	ECN NO.:	L100050	NY-C	2010.07.15



- SPECIFICATIONS:
1. SEE "RCA PRODUCT SERIES" SPECIFICATION.
 2. TO CONFORM TO SINGATRON HAZARDOUS SUBSTANCE FREE SPEC.
 3. FOR WAVE SOLDERING LEAD-FREE PROCESS.
 4. GREEN PRODUCT IDENTIFICATION LABEL ON PACKAGING: **G.P. PASS**
 5. PACKAGE : SEE "2PJ1588 SERIES" PACKAGE.



Recommend PCB Layout
(Jack Top View)
Tolerance: $\pm 0.05\text{mm}$
Recommend PCB Thickness: 1.6mm



PART NO. 2PJ1588-000111
PACKAGE 1: BAG
HOUSING COLOR 1: BLACK
CONTACT PLATING 1: CuSn

NO	DESCRIPTION	QTY	MATERIAL	PLATING & COLOR
E	Housing	1	PA66 UL94V-0	Black
D	Washer	1	PBT UL94V-0	See "TABLE 1"
C	Terminal #2	1	Brass, T=0.35mm	CuSn Plating
B	Terminal #1	1	Phosphor Bronze, T=0.3mm	CuSn Plating
A	Outer Contact	1	Brass, T=0.4mm	CuSn Plating
NO	DESCRIPTION	QTY	MATERIAL	PLATING & COLOR

UNLESS OTHERWISE SPECIFIED TOLERANCES

DECIMALS: ANGLES: TITLE

X ± 0.5 X $\pm 2^\circ$
X.X ± 0.3 X.X $\pm 1^\circ$
X.XX ± 0.2

APVD: 2010/07/15 SIZE: A3 SHEET: 1 OF 1 REV: B

"TABLE 1"

PART NO.	WASHER COLOR
2PJ1588-000111	RED