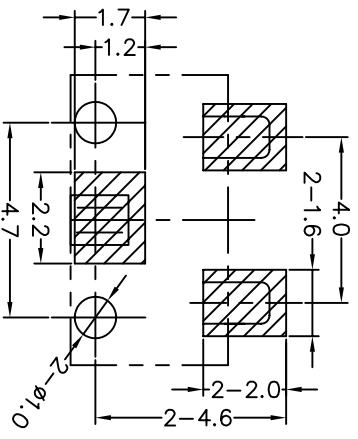
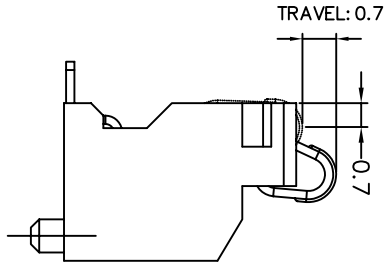
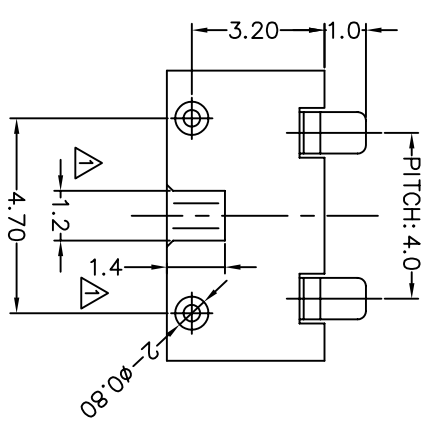
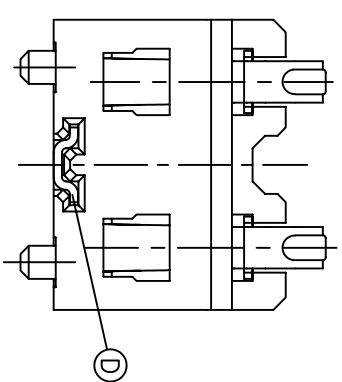
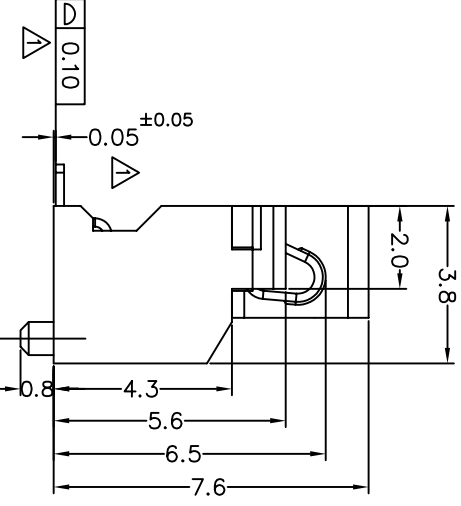
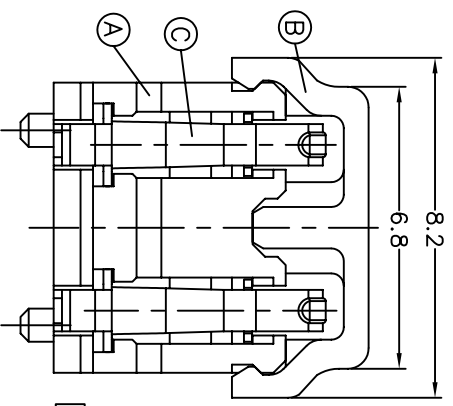
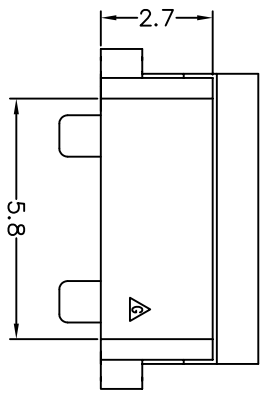
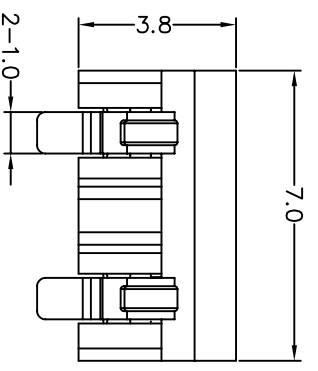


| REV. | ECN NO OR DESCRIPTION | REVISED | DATE |
|------|-----------------------|---------|------------|
| E | ECN NO. 940228 | HANSON | 09/29-16 |
| F | ECN NO. T060242 | JERRY | 2006.06.17 |
| G | ECN NO. T070266 | EVEN | 2007.02.23 |

SPECIFICATIONS:

- ELECTRICAL CHARACTERISTICS**
 Contact Current Rating : 1.5 Amperes
 Dielectric Withstanding Voltage : 36 V Max./1 Minute
 Contact Resistance : 20 mΩ Maximum
 Insulation Resistance : 1000 MΩ Minimum at 100V DC
 Operating Temperature : -55°C to + 105°C
- CONNECT SHALL WITHSTAND 2,000 CYCLES OF PUSH AND PULL WITH TESTING SPEAK, THE TRAVEL HEIGHT 0.85mm FROM THE CONTACT POINT OF CONNNECT WITH SPEAK.**
 Contact force : 450±100g per pin.
 Initial : The travel height 0.75mm.
 After life cycles : The travel height 0.35mm Min.
- PACKING: TAPE & REEL.**
- TO CONFORM TO THE "SE-01-001" & "ROHS DIRECTIVE"**
- GREEN PRODUCT IDENTIFICATION LABEL IN PACKING: [Car. Pass]**
- FOR LEAD-FREE PROCESS.**



RECOMMENDED P.C.B LAYOUT
(PRINTED SIDE)
(TOLERANCE: ±0.05)

| NO | DESCRIPTION | QTY | MATERIAL | PLATING & COLOR |
|----|----------------|-----|-------------------|-----------------------|
| D | TERMINAL | 1 | BRASS 0.2t | Sn(lead-free) 300 Min |
| C | CONTACT SPRING | 2 | COPPER ALLOY 0.2t | GOLD FLASH(Au 1~3u") |
| B | COVER | 1 | PA-9T UL 94V-0 | BLACK COLOR |
| A | HOUSING | 1 | PA-9T UL 94V-0 | BLACK COLOR |
| NO | DESCRIPTION | QTY | MATERIAL | PLATING & COLOR |

UNLESS OTHERWISE SPECIFIED TOLERANCES

Singatron Enterprise Co., Ltd.
信晉企業股份有限公司

TITLE: SPEAK CONNECT

| DECIMALS: | ANGLES: | TITLE |
|-------------|-----------|-------|
| X : ±0.5 | X : ±2° | DWN |
| X.X : ±0.3 | X.X : ±1° | CHKD |
| X.XX : ±0.2 | | APVD |

Part No. 2SC-0001-001
 Scale: 4/1
 Unit: mm
 Sheet: 1 of 1
 Rev: G

CUSTOMER COPY