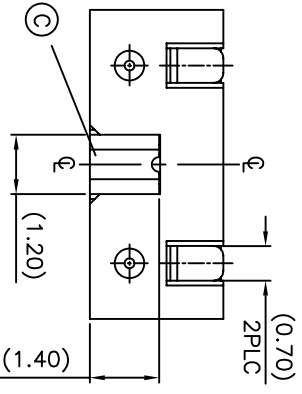
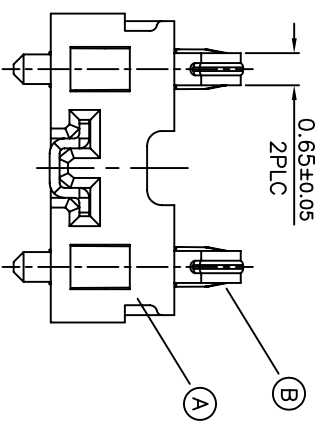
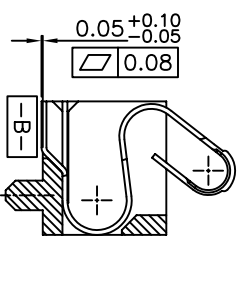
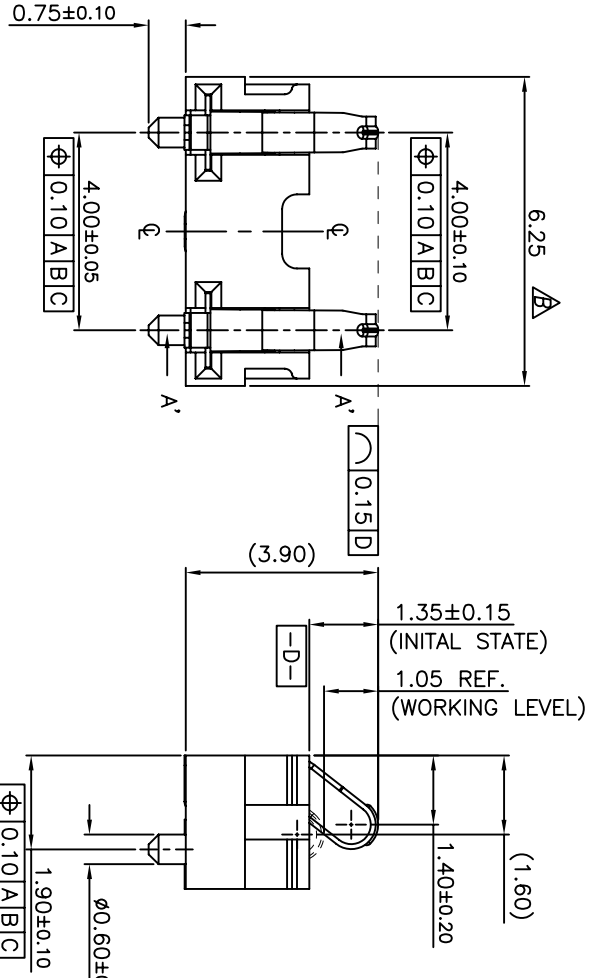
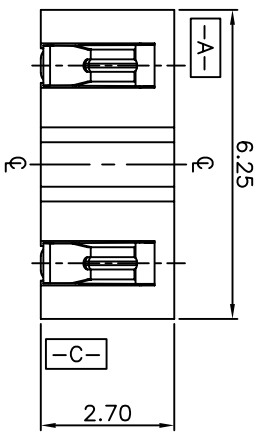
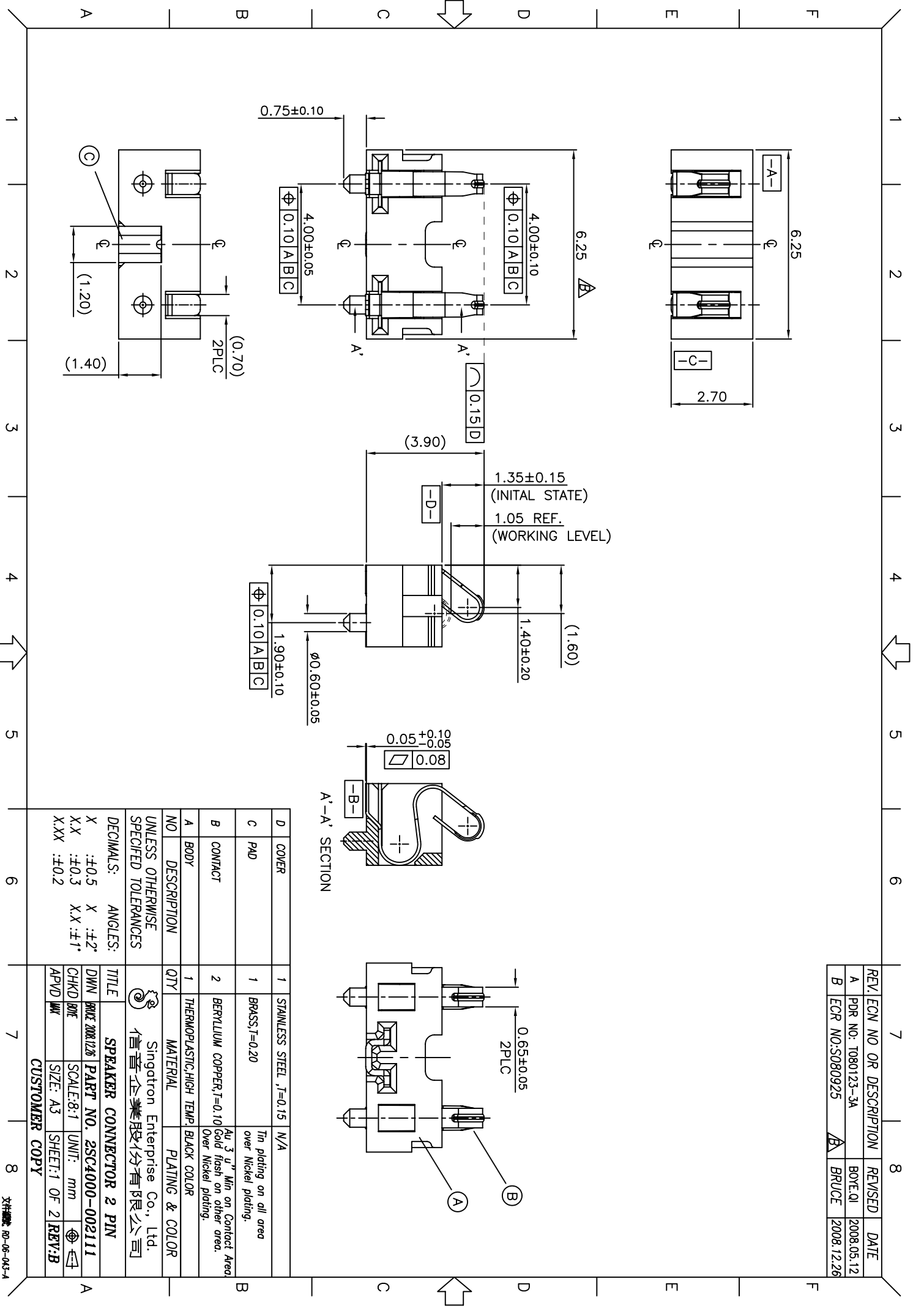


REV.	ECN NO OR DESCRIPTION	REVISED	DATE
A	PDR NO: T080123-3A	BOYE.QI	2008.05.12
B	ECR NO:S080925	BRUCE	2008.12.26



D	COVER	1	STAINLESS STEEL, J=0.15	N/A
C	PAD	1	BRASS, J=0.20	Tin plating on all area over Nickel plating.
B	CONTACT	2	BERYLLIUM COPPER, J=0.10	Au 3 u" Min on Contact Area Gold flash on other area. Over Nickel plating.
A	BODY	1	THERMOPLASTIC, HIGH TEMP	BLACK COLOR
UNLESS OTHERWISE SPECIFIED TOLERANCES		QTY	MATERIAL	PLATING & COLOR
Singatong Enterprise Co., Ltd. 信音企業股份有限公司				
TITLE: SPEAKER CONNECTOR 2 PIN				
DWN: 2008/12/26 PART NO. 25C4000-002111				
CHKD: [Signature] SCALE: 8:1 UNIT: mm				
APVD: [Signature] SIZE: A3 SHEET: 1 OF 2 REV: B				
CUSTOMER COPY				

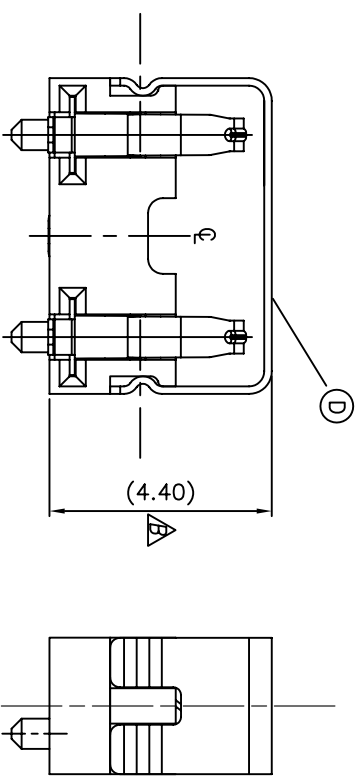
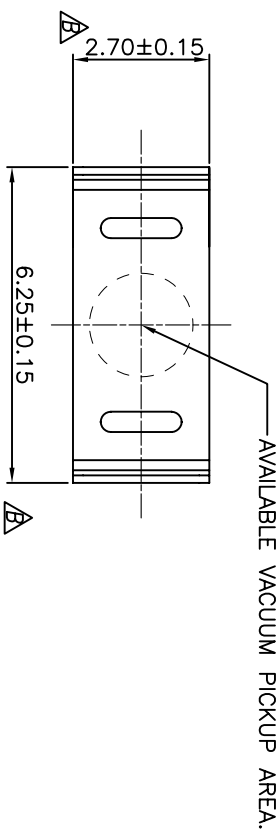
DECIMALS: ANGLES:
 X :±0.5 X :±2°
 X.X :±0.3 X.X :±1°
 X.XX :±0.2



REV.	ECN NO	OR DESCRIPTION	REVISED	DATE
A	PDR NO: 1080123-3A		BOYE.QI	2008.05.12
B	ECR NO: S080925		BRUCE	2009.01.05

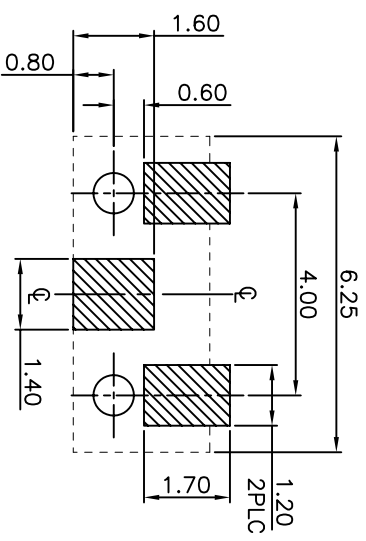
SPECIFICATIONS:
1. ELECTRICAL CHARACTERISTICS:

- 1.1. WORKING VOLTAGE : 36V Max.
- 1.2. CONTACT CURRENT RATING : 1.5 Amperes.
- 1.3. DIELECTRIC WITHSTANDING VOLTAGE : 1000 VAC (100 VDC) / 1 Minute.
- 1.4. CONTACT RESISTANCE : 20 Milliohms Maximum.
- 1.5. INSULATION RESISTANCE : 1000 Megohms Minimum at 100V DC.
- 1.6. OPERATING TEMPERATURE : -55°C to + 105°C.
- 2. CONNECTOR SHALL WITHSTAND 2,000 CYCLES OF PUSH AND PUSH OFF WITH TESTING SPEAKER, THE TRAVEL HEIGHT 1.35mm FROM THE CONTACT POINT OF CONTACT WITH SPEAK.
- CONTACT FORCE : 1N Min.
- INITIAL : THE TRAVEL HEIGHT 1.35mm.
- AFTER LIFE CYCLES : The travel height 1.00mm Min.
- 3. PACKAGING: TAPE & REEL
- 4. TO CONFORM TO SINGATRON HAZARDOUS SUBSTANCE FREE SPEC.
- 5. GREEN PRODUCT IDENTIFICATION MARK ON BODY:
- 6. GREEN PRODUCT IDENTIFICATION LABEL ON PACKAGING:
- 7. SOLDERING HEAT RESISTANCE: 260°C 10 SEC.
- 8. FOR LEAD-FREE PRODUCT.



WITH COVER DRAWING

ONE
MM



APPLICABLE P.C.B LAYOUT DIMENSION
 TOP VIEW (TOLERANCE: ±0.08mm)

NO	DESCRIPTION	QTY	MATERIAL	PLATING & COLOR
UNLESS OTHERWISE SPECIFIED TOLERANCES				
DECIMALS:	ANGLES:			
X : ±0.5	X : ±2°			
X.X : ±0.3	X.X : ±1°			
X.XX : ±0.2				
TITLE	SPEAKER CONNECTOR 2 PIN			
DWN	SINGATRON ENTERPRISE CO., LTD.			
CHKD	信音企業股份有限公司			
APVD	SCALE: 8:1 UNIT: mm			
	SIZE: A3 SHEET: 2 OF 2 REV: B			
CUSTOMER COPY				