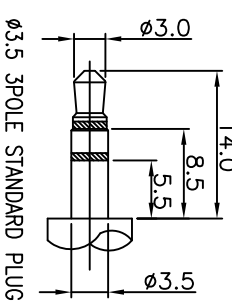
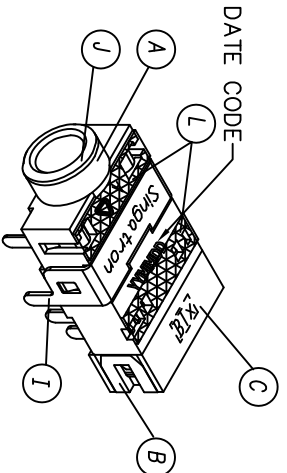
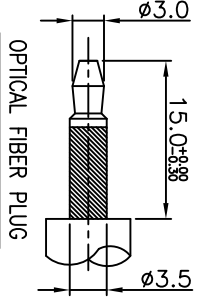
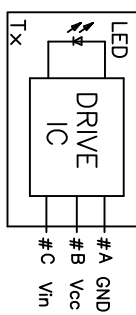
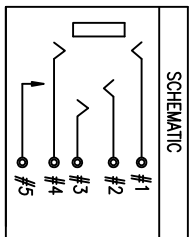
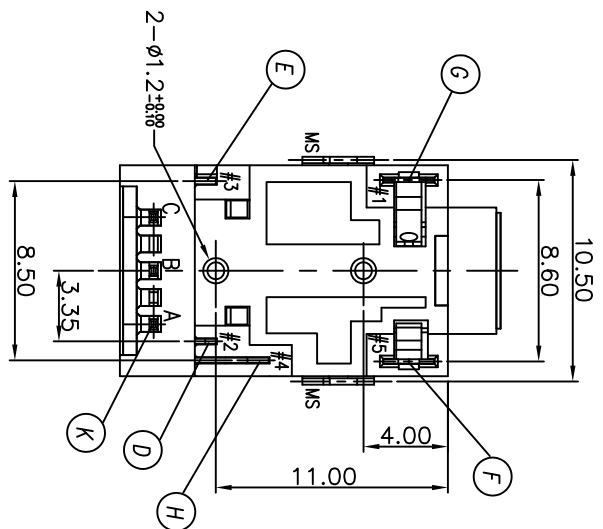
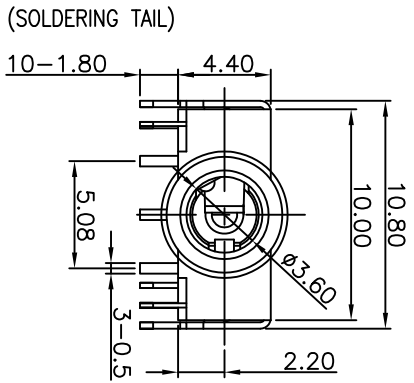
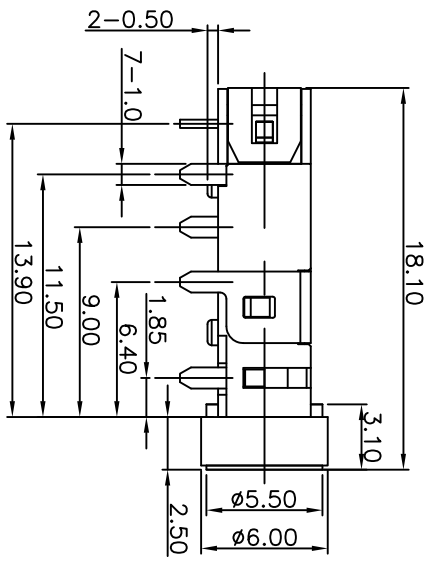


- SPECIFICATIONS:**
- ELECTRICAL CHARACTERISTICS:**
 - 1-1. RATING: 12V 1A
 - 1-2. CONTACT RESISTANCE: 30MΩMAX(INITIAL)
 - 1-3. DIELECTRIC VOLTAGE WITHSTAND: 500V AC FOR ONE MINUTE
 - 1-4. INSULATION RESISTANCE: 100MΩMIN. MEASURED BY 500 VDC
 - MECHANICAL CHARACTERISTICS:**
 - 2-1. INSERTED FORCE : 3.5 KGS MAX.
 - 2-2. WITHDRAWAL FORCE : 0.3~4.0 KGS

3. LIFE TEST: 5,000 CYCLES MIN.
4. PACKAGING: TAPE & REEL
5. TO CONFORM TO SINGAPOUR HAZARDOUS SUBSTANCE FREE SPEC
6. GREEN PRODUCT IDENTIFICATION MARK ON JACK:
7. GREEN PRODUCT IDENTIFICATION LABEL ON PACKAGING: **G.P. PASS**
8. FOR LEAD-FREE PROCESS.



RECOMMEND MATING PLUG
1/2 SCALE

REV.	ECN NO.	OR DESCRIPTION	REVISED	DATE
A	PDR NO.:	1090828-1A	Sidney	2009.09.09
B	ECN NO.:	5100812	Allen	2010.08.11

NO	DESCRIPTION	QTY	MATERIAL	PLATING & COLOR
L	INSULATION FILM	2	N/A	
K	IC DRIVER	1	EPOXY/CDA-C19400	N/A
J	METAL	1	BRASS STRIP	Ni60u Min,Cu80umMin(N1)
I	SHIELDING	1	COPPER ALLOY	N/A
H	EARTH SPRING-A	1	PHOSPHOR BRONZE	GOLD FLASH,Ni 50umMin
G	EARTH SPRING-B	1	PHOSPHOR BRONZE	GOLD FLASH,Ni 50umMin
F	EARTH TERMINAL	1	PHOSPHOR BRONZE	GOLD FLASH,Ni 50umMin
E	TIP SPRING	1	PHOSPHOR BRONZE	GOLD FLASH,Ni 50umMin
D	RING SPRING	1	PHOSPHOR BRONZE	GOLD FLASH,Ni 50umMin
C	CASE	1	HIGH TEMP THERMOPLASTIC UL 94V-0	BLACK
B	COVER	1	HIGH TEMP THERMOPLASTIC UL 94V-0	BLACK
A	BODY	1	HIGH TEMP THERMOPLASTIC UL 94V-0	BLACK

UNLESS OTHERWISE SPECIFIED TOLERANCES

DECIMALS: ANGLES:

X : ±0.5 X : ±2°

X.X : ±0.3 X.X : ±1°

X.XX : ±0.2

Singapore Enterprise Co., Ltd.
信音企業股份有限公司

3.5 PHONE JACK

DWN 2010.08.11 PART NO. 2SJ-A373-T11

CHKD 2010.08.11 SCALE: 4:1 UNIT: mm

APVD 2010.08.11 SIZE: A3 SHEET: 1 OF 1 REV: B

CUSTOMER COPY