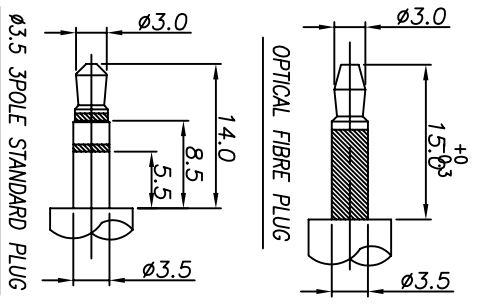
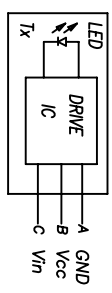
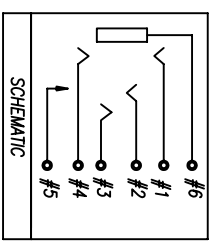
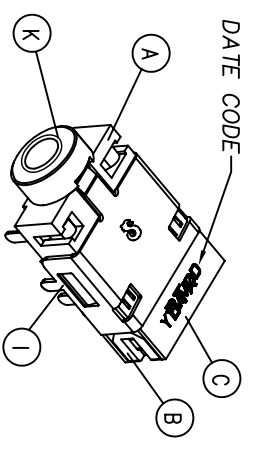
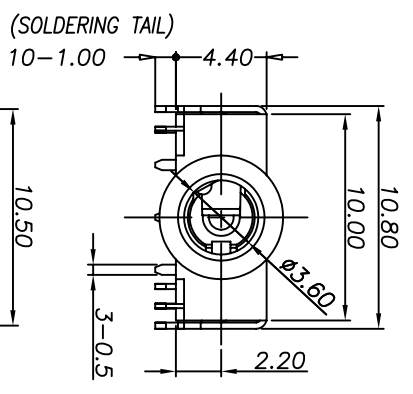
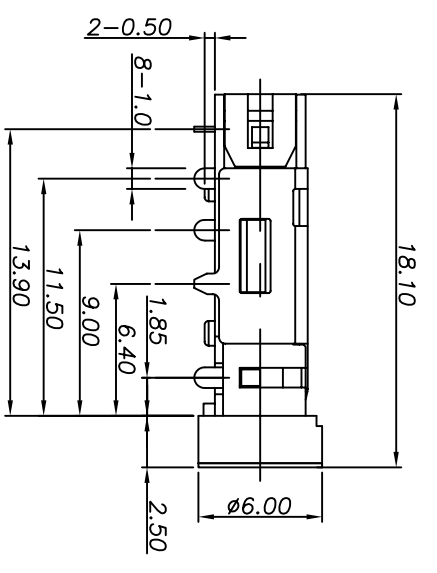


**SPECIFICATIONS:**

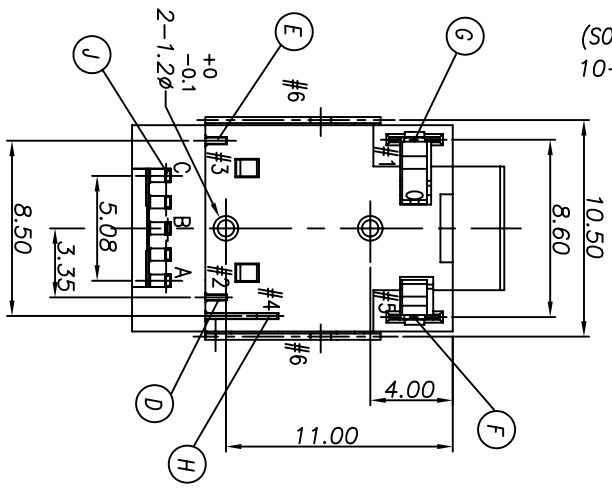
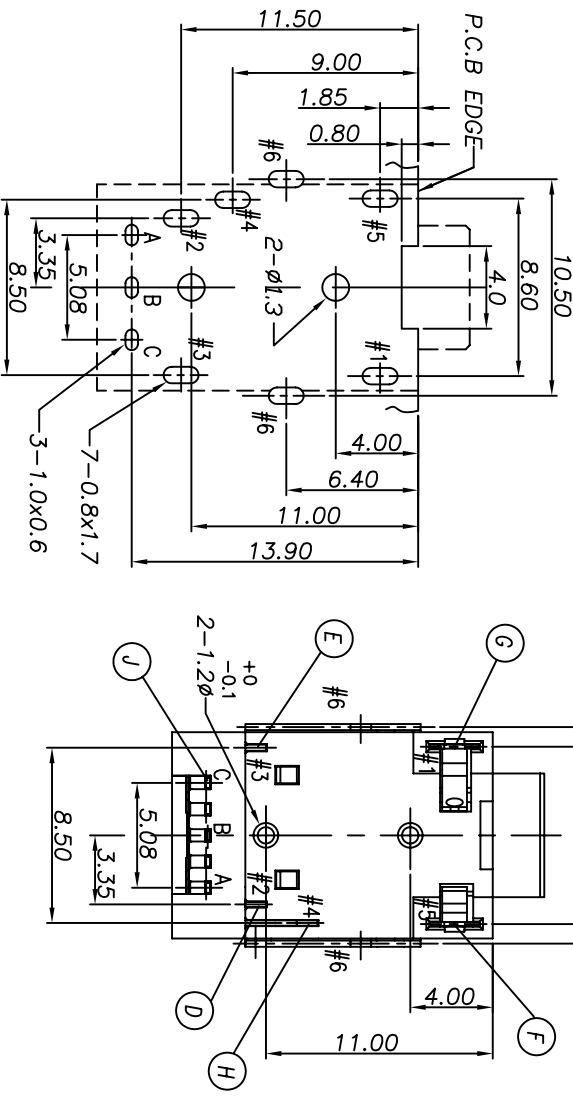
- 1. ELECTRICAL CHARACTERISTICS:**
- 1-1. RATING: 12V 1A
  - 1-2. CONTACT RESISTANCE: 30mΩ MAX (BEFORE)
  - 1-3. DIELECTRIC VOLTAGE WITHSTAND: 500V AC FOR ONE MINUTE
  - 1-4. INSULATION RESISTANCE: 100MΩ MIN. MEASURED BY 500 VDC
- 2. MECHANICAL CHARACTERISTICS:**
- 2-1. INSERTED FORCE: 3.5 KGS MAX.
  - 2-2. WITHDRAWAL FORCE: 0.3~4.0 KGS

- 3. LIFE TEST: 5,000 CYCLES MIN.
- 4. PACKING: TAPE & REEL
- 5. TO CONFORM TO THE SINGATRON HSF SPECIFICATION.
- 6. GREEN PRODUCT IDENTIFICATION MARK ON JACK
- 7. GREEN PRODUCT IDENTIFICATION LABEL ON PACKING
- 8. FOR LEAD-FREE PROCESS.

**G.P. PASS**



RECOMMEND MATING PLUG



RECOMMENDED PCB LAYOUT  
TOP VIEW  
(TOLERANCE: ±0.05)

REV.	ECN NO.	OR DESCRIPTION	REVISED	DATE
A	PDR NO.	1080121-3A	SVY	2008.02.19

K	METAL	1	BRASS	GOLD FLASH; NI 50U"
J	IC DRIVE	1	EPOXY	Sn 120U", NI 50U"
I	SHIELDING	1	PHOSPHOR BRONZE	可鍍160U"
H	EARTH SPRING-A	1	PHOSPHOR BRONZE	GOLD FLASH; NI 50U" Min
G	EARTH SPRING-B	1	PHOSPHOR BRONZE	GOLD FLASH; NI 50U" Min
F	EARTH TERMINAL	1	PHOSPHOR BRONZE	GOLD FLASH; NI 50U" Min
E	TIP SPRING	1	PHOSPHOR BRONZE	GOLD FLASH; NI 50U" Min
D	RING SPRING	1	PHOSPHOR BRONZE	GOLD FLASH; NI 50U" Min
C	CASE	1	HIGH TEMP THERMOPLASTIC UL 94H-0	BLACK COLOR
B	COVER	1	HIGH TEMP THERMOPLASTIC UL 94H-0	BLACK COLOR
A	BODY	1	HIGH TEMP THERMOPLASTIC UL 94H-0	BLACK COLOR
NO	DESCRIPTION	QTY	MATERIAL	PLATING & COLOR
UNLESS OTHERWISE SPECIFIED TOLERANCES				
DECIMALS: ANGLES:				
X	:±0.5	X	:±2°	
X.X	:±0.3	X.X	:±1°	
X.XX	:±0.2			
TITLE: 03.5 PHONE JACK (WITH IC)				
DWN: 04/02/19 PART NO. 251-C373-D03				
CHKD: 10/20/08 SCALE: 4:1 UNIT: mm				
APVD: 10/20/08/19 SIZE: A3 SHEET: 1 OF 1 REV: A				
CUSTOMER COPY(SZ)				

Singatron Enterprise Co., Ltd.  
信音企業股份有限公司