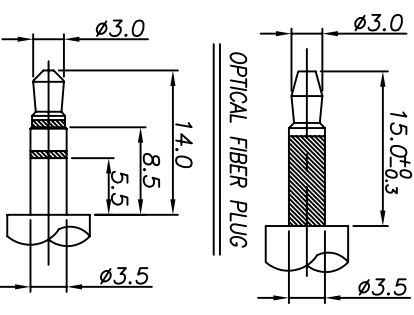
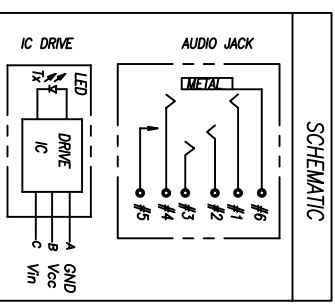
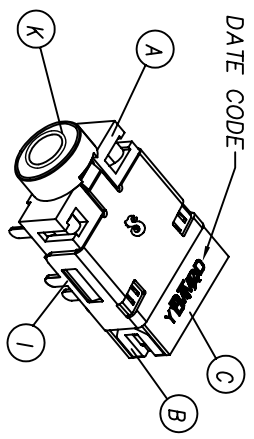
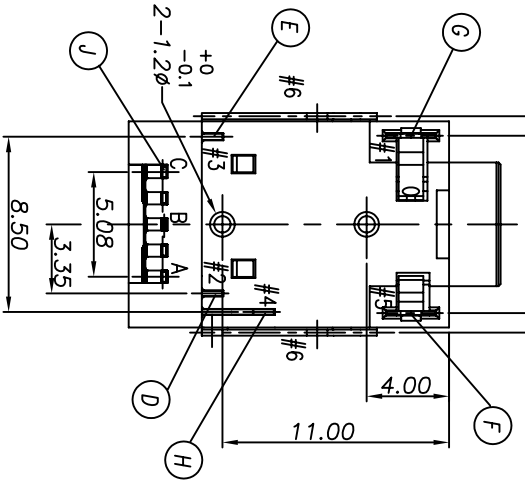
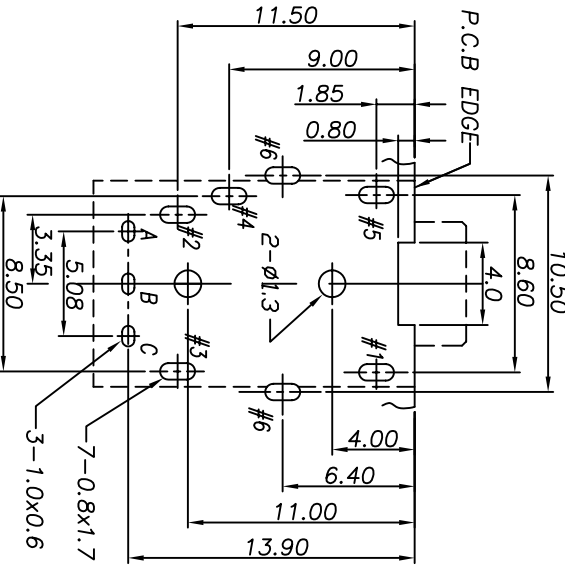
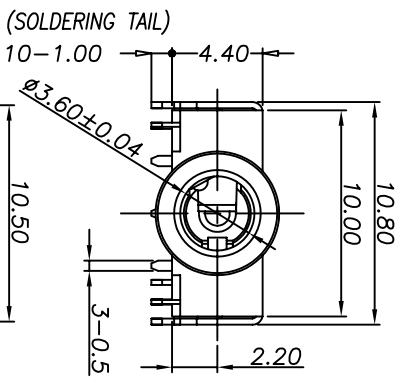
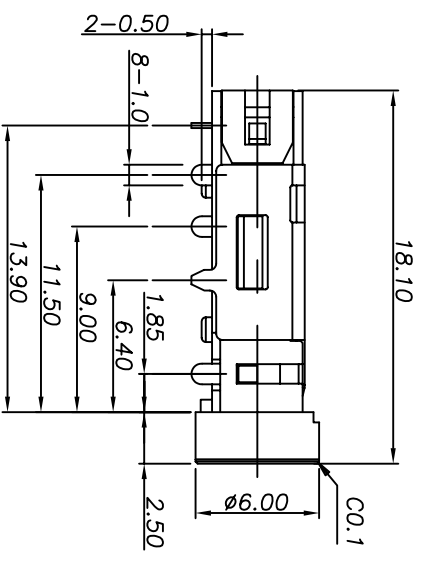


REV.	ECN NO OR DESCRIPTION	REVISED	DATE
A	PDR NO. T080829-1A	BRUCE	2008/09/01

- SPECIFICATIONS:**
- 1. ELECTRICAL CHARACTERISTICS:**
- 1-1. RATING: 12V 1A
  - 1-2. CONTACT RESISTANCE: 30mΩ MAX (INITIAL).
  - 1-3. DIELECTRIC VOLTAGE WITHSTAND: 500V AC FOR ONE MINUTE
  - 1-4. INSULATION RESISTANCE: 100MΩ MIN. MEASURED BY 500 VDC
- 2. MECHANICAL CHARACTERISTICS:**
- 2-1. INSERTED FORCE : 3.5 KG MAX.
  - 2-2. WITHDRAWAL FORCE : 0.3~4.0 KG.

- 3. LIFE TEST: 5,000 CYCLES MIN.
- 4. PACKAGING: TAPE & REEL
- 5. TO CONFORM TO SINGATRON HAZARDOUS SUBSTANCE FREE SPEC.
- 6. GREEN PRODUCT IDENTIFICATION MARK ON JACK:
- 7. GREEN PRODUCT IDENTIFICATION LABEL ON PACKAGING: **G.P. PASS**
- 8. FOR LEAD-FREE PROCESS.



K	METAL	1	BRASS	GOLD FLASH OVER NI 60U"
J	IC DRIVE	1	EPOXY	Sn 120U" OVER NI 50U"
I	SHIELDING	1	PHOSPHOR BRONZE 0.3T	NI 60U"
H	EARTH SPRING-A	1	PHOSPHOR BRONZE 0.25T	GOLD FLASH OVER NI 50U"
G	EARTH SPRING-B	1	PHOSPHOR BRONZE 0.2T	GOLD FLASH OVER NI 50U"
F	EARTH TERMINAL	1	PHOSPHOR BRONZE 0.2T	GOLD FLASH OVER NI 50U"
E	TIP SPRING	1	PHOSPHOR BRONZE 0.25T	GOLD FLASH OVER NI 50U"
D	RING SPRING	1	PHOSPHOR BRONZE 0.25T	GOLD FLASH OVER NI 50U"
C	CASE	1	HIGH TEMP THERMOPLASTIC UL 94V-0	BLACK COLOR
B	COVER	1	HIGH TEMP THERMOPLASTIC UL 94V-0	BLACK COLOR
A	BODY	1	HIGH TEMP THERMOPLASTIC UL 94V-0	BLACK COLOR
NO	DESCRIPTION	QTY	MATERIAL	PLATING & COLOR
UNLESS OTHERWISE SPECIFIED TOLERANCES				
SINGATRON ENTERPRISE CO., LTD.				
TITLE: <b>Ø3.5 PHONE JACK (WITH IC)</b>				
DWG: BRUCE 2008/09/01 PART NO. 25J-C373-D05				
CHKD: [Signature] SCALE: 4:1 UNIT: mm				
APVD: [Signature] SIZE: A3 SHEET: 1 OF 1 REV: A				
CUSTOMER COPY				

RECOMMEND PCB LAYOUT  
TOP VIEW (TOLERANCE: ±0.05)

