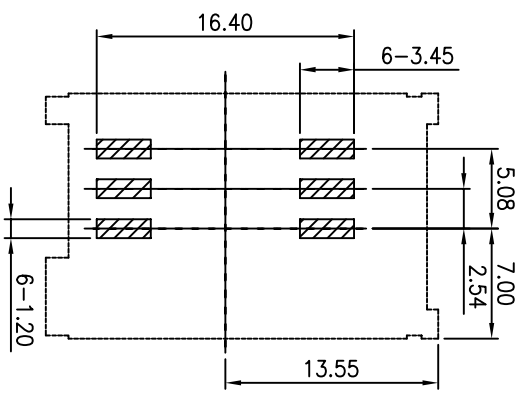
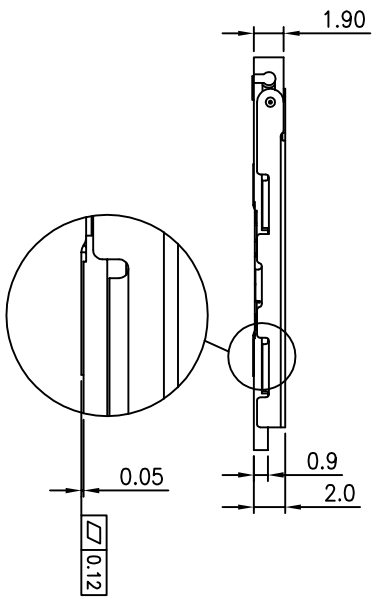
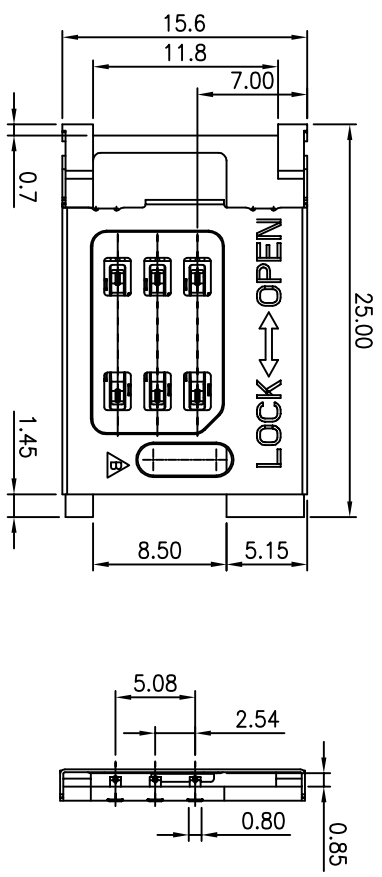
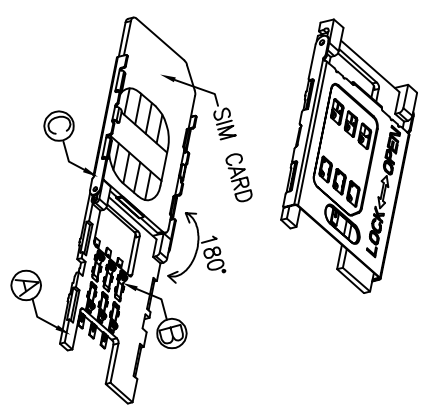


REV.	ECN NO.	OR DESCRIPTION	REVISED	DATE
A	PDR RELEASE		AMYC	2008.11.26
B	ECN NO. L090037		AMYC	2009.07.06

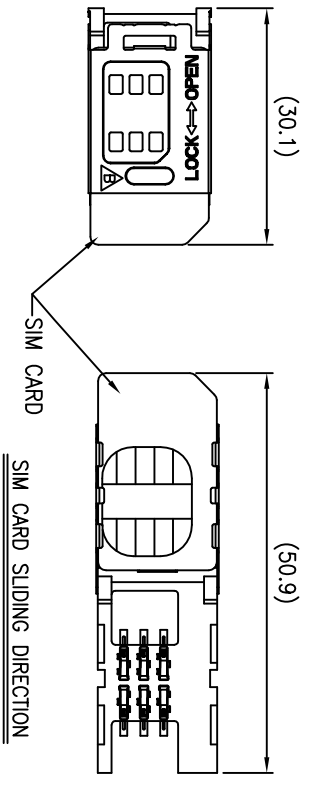
- SPECIFICATIONS:
1. OTHER GENERAL SPEC. TO REFER "2SM1501 SERIES SPEC".
 2. TO CONFORM TO SINGATRON HAZARDOUS SUBSTANCE FREE SPEC.
 3. GREEN PRODUCT IDENTIFICATION LABEL ON PACKAGING: **[G.P. PASS]**
 4. PACKAGE : SEE "2SM1501 SERIES" PACKAGE



Recommend PCB Layout
Tolerance: $\pm 0.05\text{mm}$ (Top view)



- 2SM1501-000111
- PACKAGE
 - 1: TAPE & REEL
 - HOUSING COLOR
 - 1: BLACK
 - CONTACT PLATING
 - 1: Au PLATING



NO	DESCRIPTION	QTY	MATERIAL	PLATING & COLOR
C	COVER	1	STAINLESS STEEL (SUS304)	
B	CONTACT	6	PHOSPHOR BRONZE STRIP	Au PLATING
A	HOUSING	1	HIGH TEMP (LCP)	BLACK COLOR

UNLESS OTHERWISE SPECIFIED TOLERANCES

DECIMALS:	ANGLES:	TITLE	SIM CARD HINGED
X : ± 0.5	X : $\pm 2^\circ$	DWN	AMC 2009/06
X.X : ± 0.3	X.X : $\pm 1^\circ$	CHKD	JANSON 2009/06
X.XX : ± 0.2		APVD	JANSON 2009/06

PART NO.	2SM1501-000111
SCALE: N/A	UNIT: mm
SIZE: A3	SHEET: 1 OF 1
REV: B	

CUSTOMER COPY