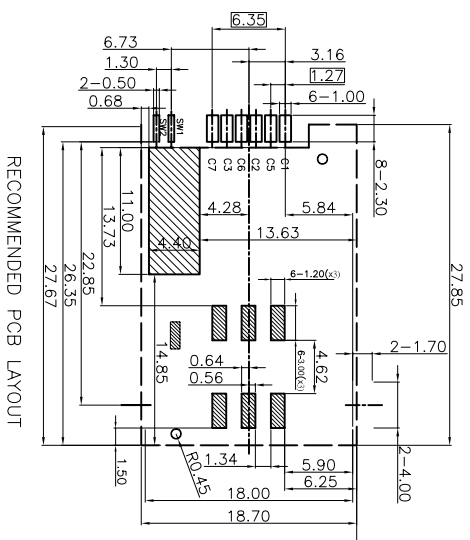
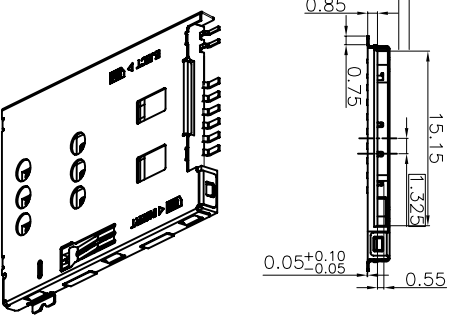
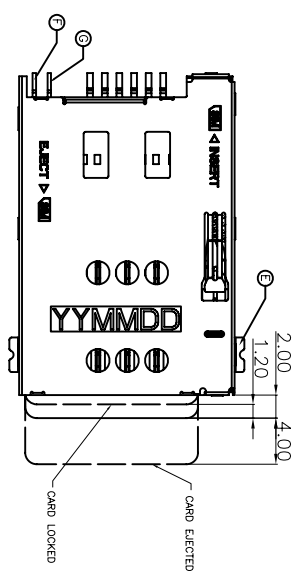


DATE CODE
 YY : YEAR (09~)
 MM : MONTH (01~12)
 DD : DAY (01~31)



RECOMMENDED PCB LAYOUT

此處標明為PCB邊緣，形似與邊緣之間
 距離0mm



SPECIFICATIONS:

1. OTHER GENERAL SPEC. TO REFER "2SM1502 SERIES SPEC".
2. TO CONFORM TO SINGATRON HAZARDOUS SUBSTANCE FREE SPEC.
3. PACKAGE : SEE "2SM1502 SERIES" PACKAGE.
4. GREEN PRODUCT IDENTIFICATION LABEL ON PACKAGING: **G.P. PASS**
5. FOR REFLOW SOLDERING LEAD-FREE PROCESS.

PART NO.

2SM1502-000111

PACKAGE & REEL
 HOUSING COLOR
 I: BLACK
 CONTACT PLATING
 I: GOLD PLATING ON ARBA.
 120μ" TIN ON SOLDER TAIL

NO	DESCRIPTION	QTY	MATERIAL	PLATING & COLOR
H	INK	1		BLACK
G	SW2	1	PHOSPHOR BRONZE C5210	GOOD PLATING ON ARBA. 120μ" TIN ON SOLDER TAIL
F	SW1	1	PHOSPHOR BRONZE C5210	GOOD PLATING ON ARBA. 120μ" TIN ON SOLDER TAIL
E	SHELL	2	SUS 304	SOLWET/GOOD FLASH ON SOLDER LATCH
D	SPRING	1	SUS 304	
C	SLIDER	1	PA9T+30%G.F. UL 94V-0	BLACK COLOR
B	MOLDING HOUSING	1	LCP+30%G.F. UL 94V-0	BLACK COLOR
A	CONTACT	6	PHOSPHOR BRONZE C5210	GOOD PLATING ON ARBA. 120μ" TIN ON SOLDER TAIL
NO	DESCRIPTION	QTY	MATERIAL	PLATING & COLOR

UNLESS OTHERWISE SPECIFIED TOLERANCES

DECIMALS: ANGLES: X :±0.5 X :±2° X.X :±0.3 X.X :±1° X.XX :±0.2

Singatron Enterprise Co., Ltd.
 信音企業股份有限公司

TITLE: SIM CARD READER 6PIN (PUSH/PUSH) WITH SWITCH
 DWG: AMC 2009.09.21 PART NO. 2SM1502-000111
 CHKD: JAHSON 2009.09.21 SCALE: N/A UNIT: mm
 APVD: JAHSON 2009.09.21 SIZE: A3 SHEET: 1 OF 1 REV: A

CUSTOMER COPY

REV	ECN NO	OR DESCRIPTION	REVISED	DATE
A		PDR RELEASE	AM/C	2009.09.21