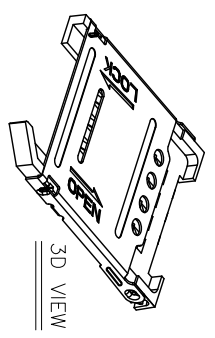
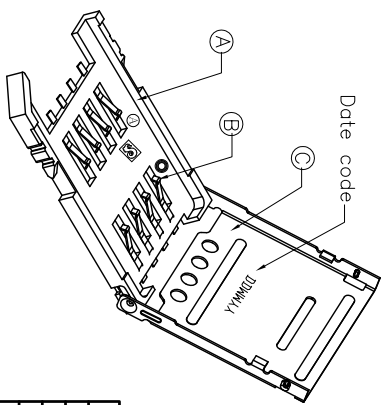


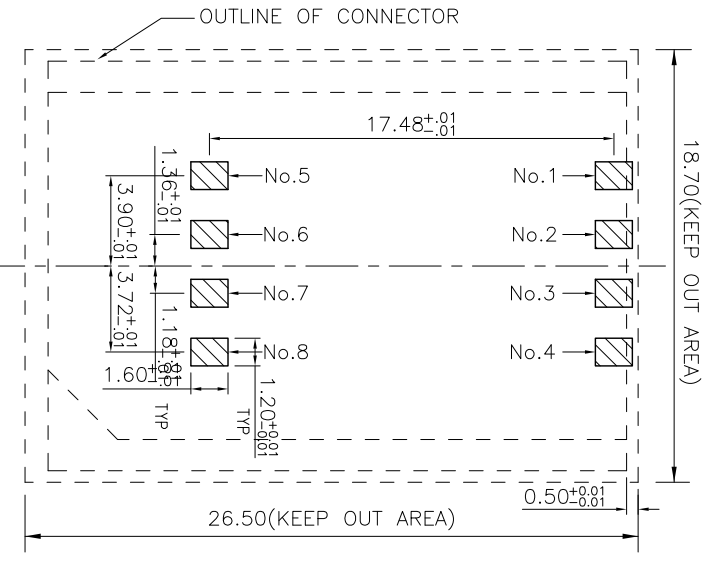
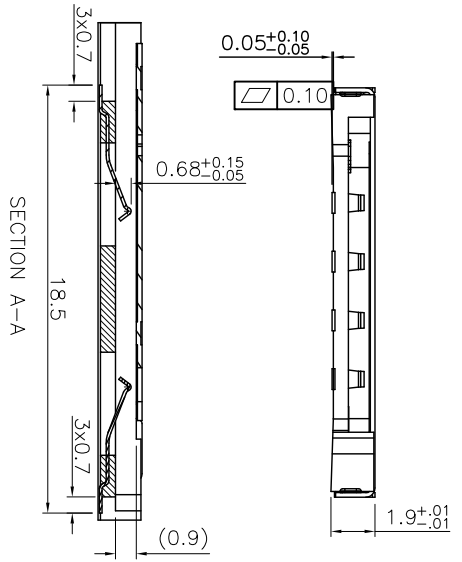
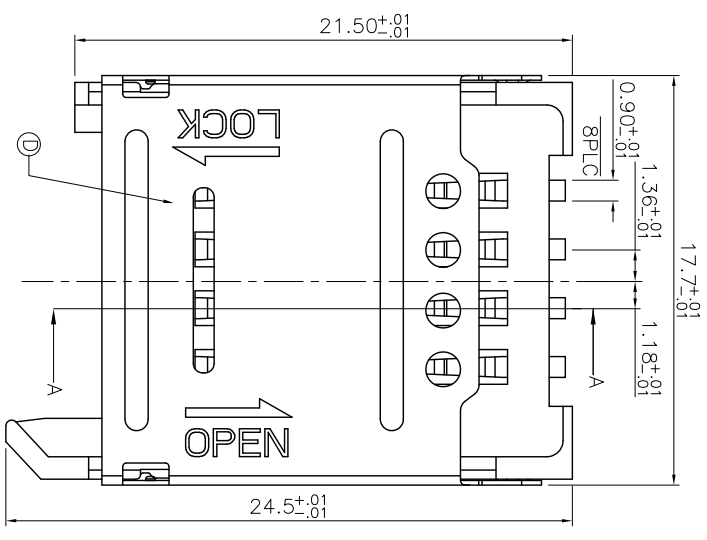
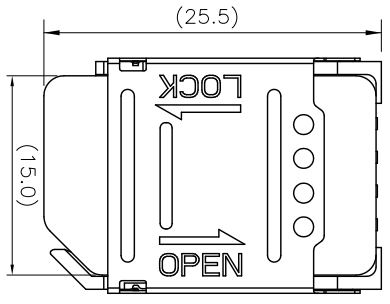
REV.	ECN NO. OR DESCRIPTION	REVISED	DATE
A	PDR NO. T090722-1A	Bobbie	2009.11.05
B	ECN NO. S100115&J11&341	Allen	2010.06.03



PIN NO.	NAME
#01	VCC
#02	RST
#03	CLK
#04	USB+
#05	GND
#06	PROG
#07	DATA
#08	USB-

NOTE

1. CONTACT CURRENT RATING 1.0A AT 250V AC
  2. CONTACT RESISTANCE 30m Ω Max.
  3. INSULATION RESISTANCE 1000MΩ Min.
  4. DIELECTRIC WITHSTANDING VOLTAGE 500V AC FOR 1 MINUTE
  5. DURABILITY: 5000 CYCLES
  6. TO CONFORM TO SINGATRON HAZARDOUS SUBSTANCE FREE SPEC
  7. HALOGEN FREE PRODUCT IDENTIFICATION MARK ON PRODUCT
  8. HALOGEN FREE PRODUCT IDENTIFICATION LOGO ON PACKING:
  9. IR REFLOW: SOLDER HEAT RESISTANCE: 260° 10 SECS.
- AFTER IR BODY WARPAGE 0.10mm Max.  
 10. FOR LEAD-FREE PRODUCT.  
 11. PACKAGING: TAPE & REEL  
 12. PRINTED DATE CODE 'YYMMDD' ON TOP OF CONNECTOR.



RECOMMEND PCB LAYOUT (TOP VIEW)  
 (TOLERANCE: ±0.05mm)

C	SHELL	1	SUS304-1/4H(BA)0.2T
B	CONTACT SPRING	8	COPPER ALLOY 0.12T <small>100% Au on contact area, gold flash on other area, all over nickel plating.</small>
A	BODY (insert molding)	1	THERMOPLASTIC UL 94V-0 BLACK
NO	DESCRIPTION	QTY	MATERIAL
PLATING & COLOR			



UNLESS OTHERWISE SPECIFIED TOLERANCES

DECIMALS: ANGLES:

X : ±0.50 X : ±2°  
 X.X : ±0.30 X.X : ±1°  
 X.XX : ±0.20

TITLE: SIM CARD HINGE TYPE SOCKET

DWN: Rev: 2010.06.03 PART NO. 2SM3004-012111

CHKD: Issued: 2010.06.03 SCALE: 4:1 UNIT: mm

APVD: Rev: 2010.06.03 SIZE: A3 SHEET: 1 OF 1 REV: B

CUSTOMER COPY