

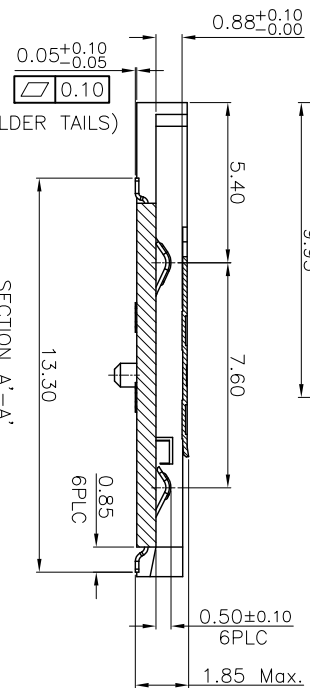
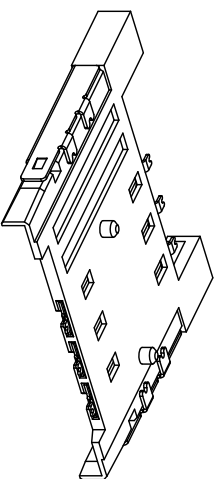
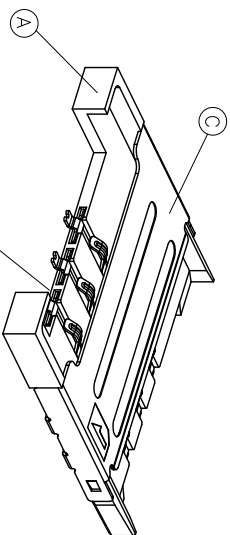
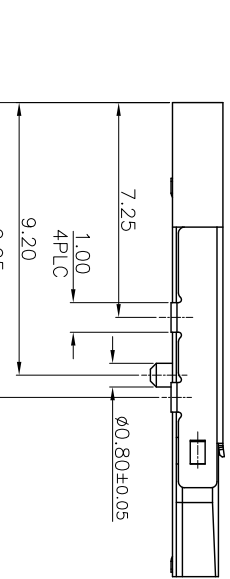
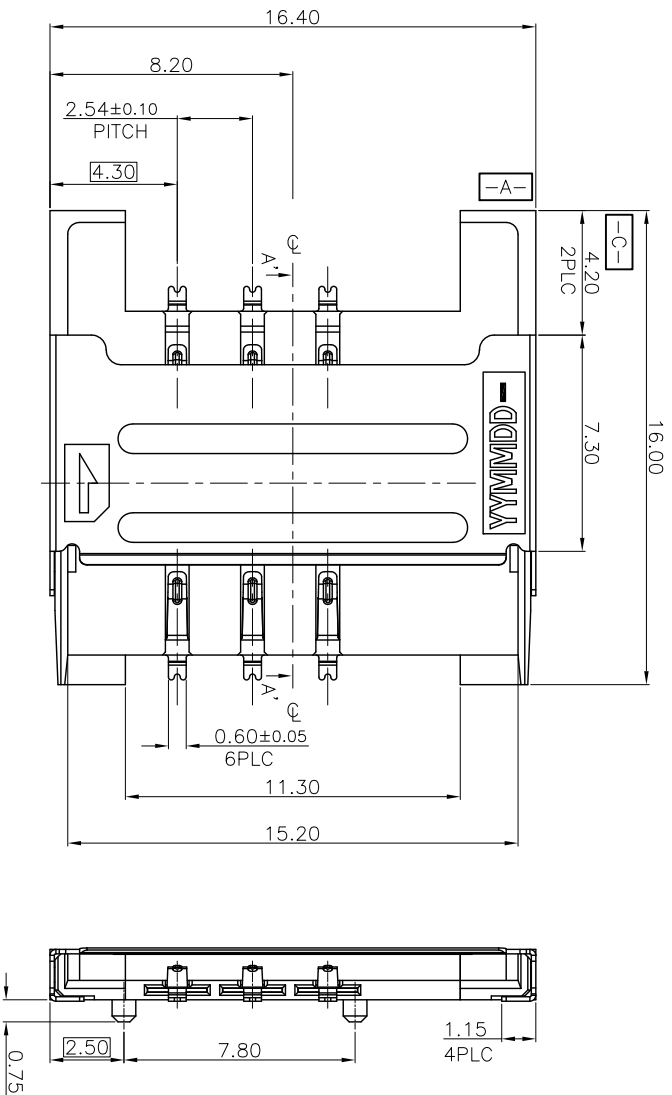
REV.	ECN NO.	OR DESCRIPTION	REVISED	DATE
A	PDR NO: T081017-1A	BOYE.QI	2008.12.05	
B	ECN NO: S090334	BOYE.QI	2009.04.21	
C	ECN NO: S100116	Allen	2010.04.09	

NOTES:

- ELECTRICAL PERFORMANCES:
  - CURRENT RATING: 0.50 A MAX.
  - CONTACT RESISTANCE: 50 mΩ MAX.
  - INSULATION RESISTANCE: 100 MΩ MIN.
  - DIELECTRIC WITHS TANDING VOLTAGE: 250V AC FOR 1 MINUTE.
- MECHANICAL PERFORMANCES:
  - CONTACT NORMAL FORCE: 0.30N MIN. AT DEFLECTION.
  - MECHANICAL OPERATION: 5000 CYCLES.
  - OPERATING TEMPERATURE: -40°C TO 85°C.
  - TO CONFORM TO SINGATRON HAZARDOUS SUBSTANCE FREE SPEC.
  - HALOGEN FREE PRODUCT IDENTIFICATION MARK ON BODY: ©
  - FOR REFLOW SOLDERING LEAD-FREE PROCESS.
  - SOLDERING HEAT RESISTANCE: 260°C. 10 SEC.
  - PRINTED DATE CODE "YYMMDD" ON TOP OF CONNECTOR.

DATE CODE: YYMMDD

DD: DAY  
MM: MONTH  
YY: YEAR



SECTION A'-A'

(ALL SOLDER TAILS)

3D VIEW

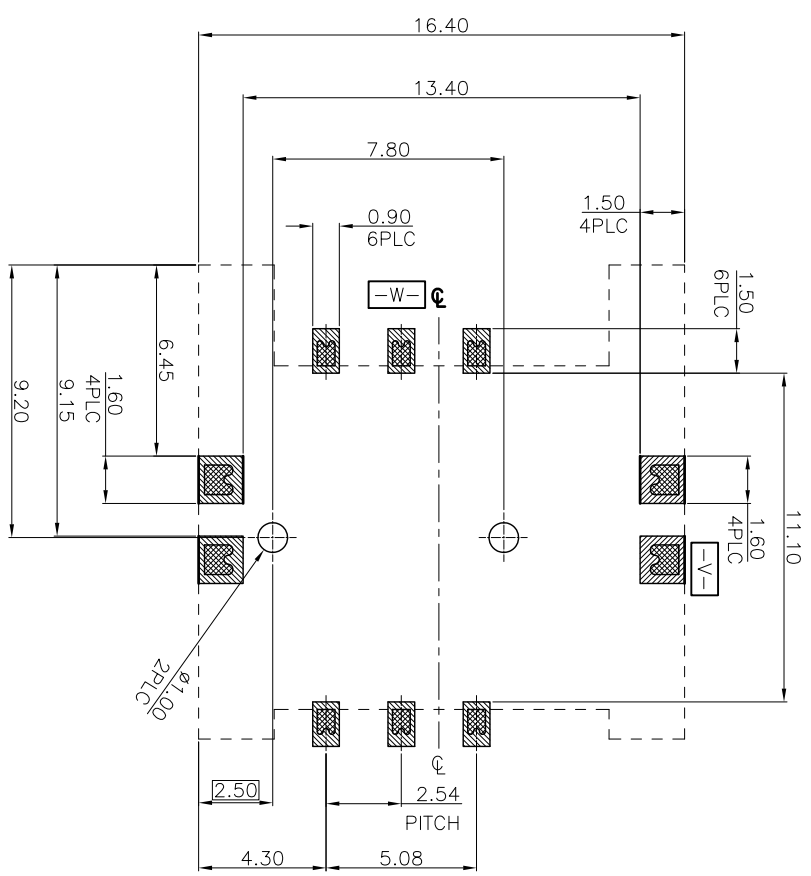
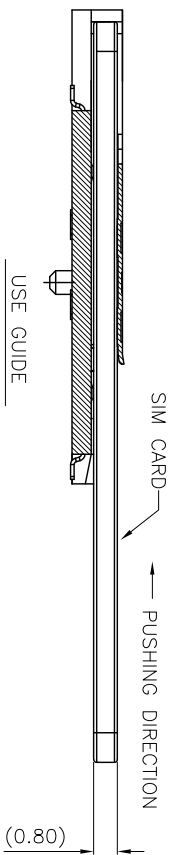
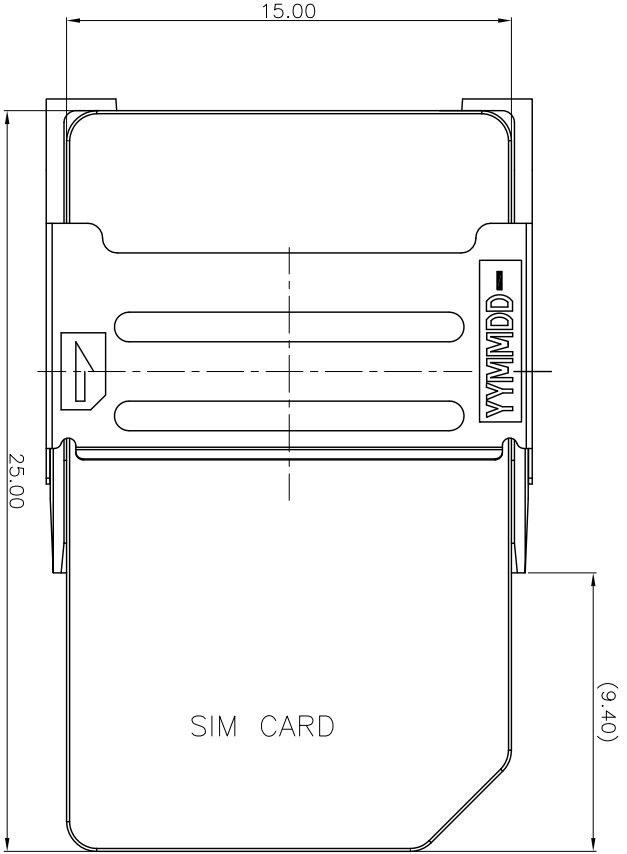
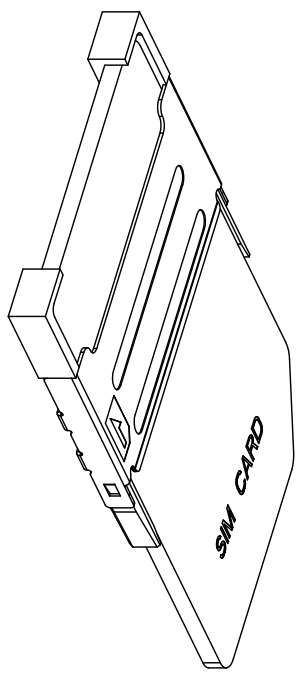
NO	DESCRIPTION	QTY	MATERIAL	PLATING & COLOR
C	COVER	1	STAINLESS STEEL,T=0.15	Gold flash on Solder tail area, Over Nickel plating.
B	CONTACT	6	PHOSPHOR BRONZE,T=0.12	Gold flash on contact area and solder tail area, Over Nickel plating.
A	BODY	1	HIGH TEMP:UL94V-0	BLACK COLOR

Singatron Enterprise Co., Ltd.  
信亨企業股份有限公司

SIM CARD CONN.

DECIMALS:	ANGLES:	TITLE
X :±0.5	X :±2°	DWN
X.X :±0.3	X.X :±1°	CHKD
X.XX :±0.2		APVD

CUSTOMER COPY



REV.	ECN NO.	OR DESCRIPTION	REVISED	DATE
A	PDR NO: T081017-1A		BOYE.QI	2008.12.05
B	ECN NO: S090334		BOYE.QI	2009.04.21
C	ECN NO: S100116		Allen	2010.04.09

NO	DESCRIPTION	QTY	MATERIAL	PLATING & COLOR
	UNLESS OTHERWISE SPECIFIED TOLERANCES			
	DECIMALS:		ANGLES:	
X	: $\pm 0.5$	X	: $\pm 2^\circ$	
X.X	: $\pm 0.3$	X.X	: $\pm 1^\circ$	
X.XX	: $\pm 0.2$			
	TITLE	SIM CARD CONN.		
DWN	Allen 2010.04.09	PART NO.	2SM3013-003111	
CHKD	Lussen 2010.04.09	SCALE:	4:1	
APVD	Mar 2010.04.09	SIZE:	A3	
		SHEET:	2 OF 2	
		REV:	C	



Singatron Enterprise Co., Ltd.  
信登企業股份有限公司

CUSTOMER COPY