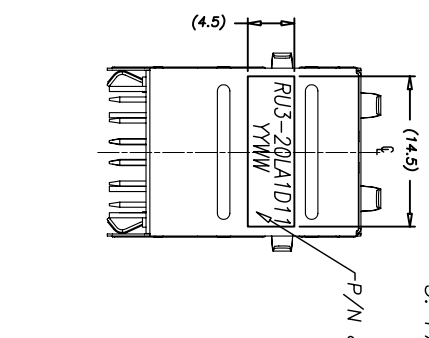
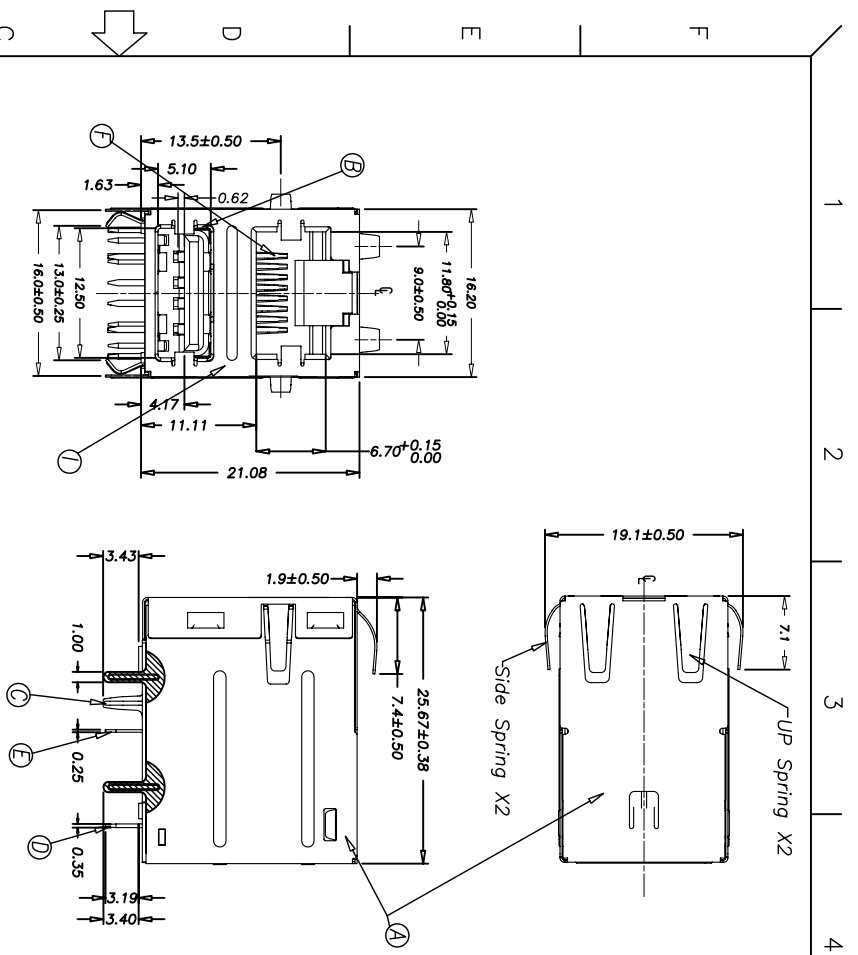


| REV | ECN NO | OR DESCRIPTION | REVISED | DATE |
|-----|--------|----------------|---------|----------|
| A | | PDR RELEASE | KIKI | 2008.1.8 |

SPECIFICATIONS:

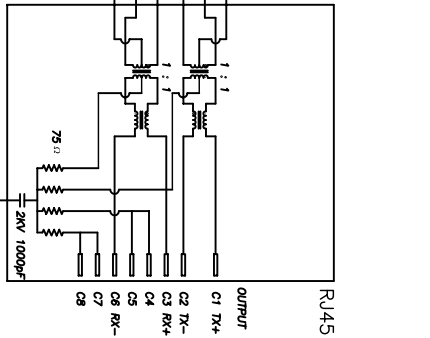
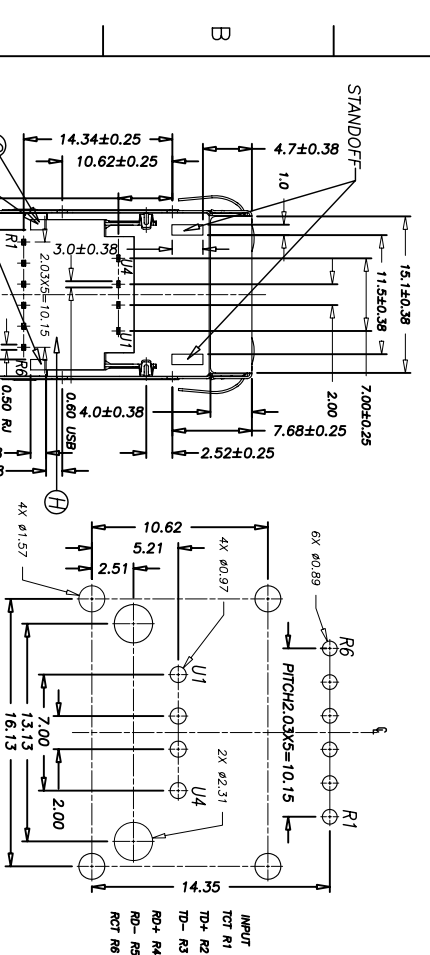
1. GREEN PRODUCT IDENTIFICATION LABEL IN PACKING: **G.P. PASS**
2. SOLDER HEAT RESISTANCE: WAVE SOLDERING 260°C 10SECS.
3. TO CONFORM TO THE SINGATRON HSF SPECIFICATION".
4. SEE "2JU1511 SERIES" SPECIFICATION
5. PACKAGE : SEE " 2JU1511 SERIES" PACKAGE



P/N & DATE CODE
 YY:YEAR(07~)
 WW:WEEK(01~52)

PART NO.
 2JU1511-000111

PACKAGE
 1: TRAY
 1: HOUSING COLOR
 1: BLACK CONTACT PLATING
 1: 50-100u"NI PLATING ALL OVER
 SOLDER TAIL: 100u"MIN. Matted TIN
 RU & USB: GOLD FLASH



| NO | DESCRIPTION | QTY | MATERIAL | PLATING & COLOR |
|----|----------------------|-----|---|--------------------|
| I | HOUSING | 1 | THERMOPLASTIC PBT U94Y-0 | BLACK COLOR |
| H | CASE | 1 | THERMOPLASTIC PBT U94Y-0 | BLACK COLOR |
| G | SPACER | 1 | THERMOPLASTIC PBT U94Y-0 | BLACK COLOR |
| F | RU OUTPUT TERMINAL | 8 | PHOSPHOR BRONZE, 0.30t | GOLD FLASH PLATING |
| E | USB TERMINAL | 4 | PHOSPHOR BRONZE, 0.30t | TIN PLATING |
| D | RU INPUT TERMINAL | 6 | BRASS, 0.35t | TIN PLATING |
| C | GROUNDING LEG OF USB | 2 | BRASS, 0.25t | TIN PLATING |
| B | USB SHELL | 1 | STAINLESS 0.25t | TIN PLATING |
| A | SHELL | 1 | FRONT SHELL STAINLESS 0.20t BACK SHELL STAINLESS 0.20t | TIN PLATING |

Recommended PCB layout
 PCB thickness : 1.6mm
 The tolerance are ±0.05mm

UNLESS OTHERWISE SPECIFIED TOLERANCES

DECIMALS: ANGLES:

±0.5 X ±2°
 ±0.3 X X ±1°
 ±0.2 X.XX

Singatron Enterprise Co., Ltd.
 信譽企業股份有限公司

TITLE: RU45 with USB stack w/LED & transformer/100 Base-T
 DWG: KIKI 2008.1.29 PART NO. 2JU1511-000111
 CHKD: YAMAMOTO/2008.1.29 SCALE: 1/1 UNIT: mm
 APVD: YAMAMOTO/2008.1.29 SIZE: A3 SHEET: 10F-1 REV: A

CUSTOMER COPY

文庫號: RP-06-035-1A