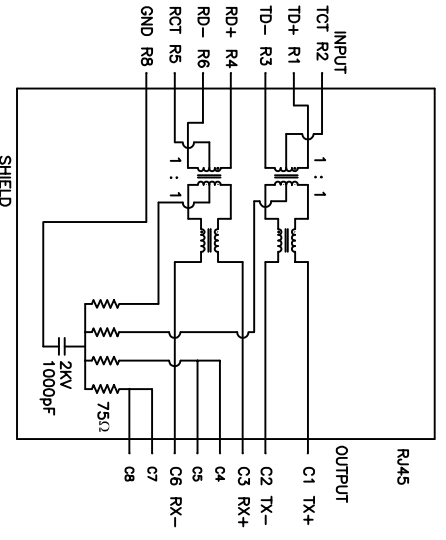
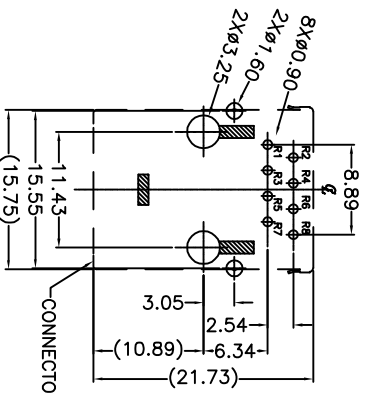
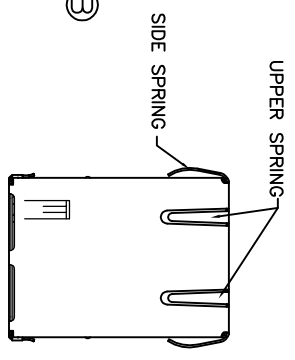
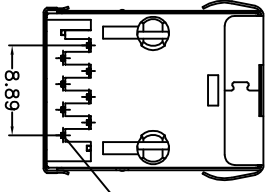
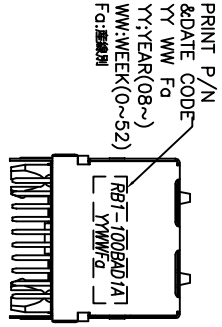
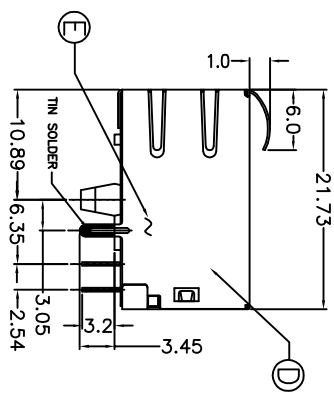
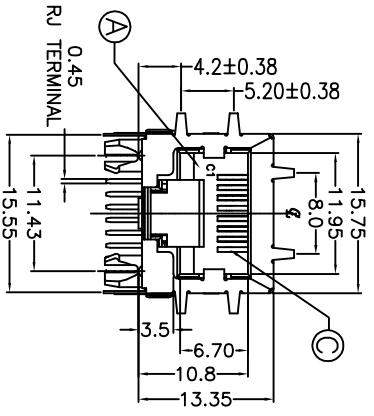


REV	ECN NO	OR DESCRIPTION	REVISED	DATE
A		PDR RELEASE	AMMC	2008.12.04

- SPECIFICATIONS:**
1. OTHER GENERAL SPEC. TO REFER "2TJ1513 SERIES SPEC".
 2. TO CONFORM TO SINGATRON HAZARDOUS SUBSTANCE FREE SPEC.
 3. GREEN PRODUCT IDENTIFICATION LABEL ON PACKAGING: **G.P. PASS**
 4. FOR WAVE SOLDERING LEAD-FREE PROCESS.
 5. PACKAGE : SEE "2TJ1516 SERIES" PACKAGE



RECOMMENDED PCB LAYOUT
COMPONENT SIDE
ALL DIMENSION TOLERANCE ARE ±0.05mm
UNLESS OTHERWISE SPECIFIED

PART NO.
2TJ1513-000111
PACKAGE
1: TRAY
HOUSING COLOR
1: BLACK
CONTACT PLATING
1: Au / TIN

NO	DESCRIPTION	QTY	MATERIAL	PLATING & COLOR
E	PCB	1	PCB	
D	SHELL	1	SUS304	TIN PLATING
C	OUTPUT CONTACT	1	BRASS (C1591)	AU PLATING
B	INPUT CONTACT	1	BRASS (C2680)	TIN PLATING
A	HOUSING	1	PA6T	BLACK COLOR

UNLESS OTHERWISE SPECIFIED TOLERANCES

UNLESS OTHERWISE SPECIFIED TOLERANCES

DECIMALS:	ANGLES:
X :±0.5	X :±2
X.X :±0.3	X.X :±1°
X.XX :±0.2	

TITLE	R445 With Transformer Type (10/100Base-T)
DWN	AMC 2008.12.04 PART NO. 2TJ1513-000111
CHKD	LANSON 2008.12.04 SCALE:N/A UNIT: mm
APVD	LANSON 2008.12.04 SIZE: A3 SHEET: 1 OF 1 REV: A

Singatron Enterprise Co., Ltd.
信音企業股份有限公司

CUSTOMER COPY