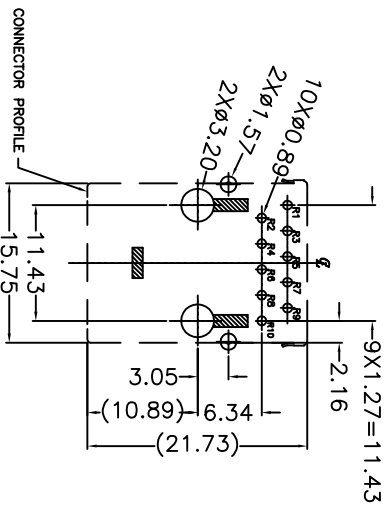
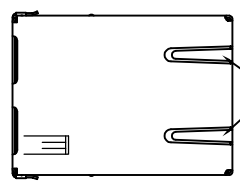
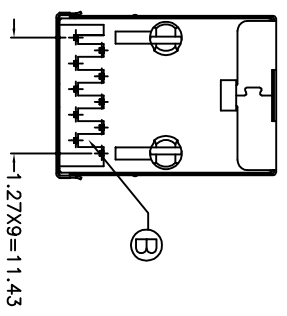
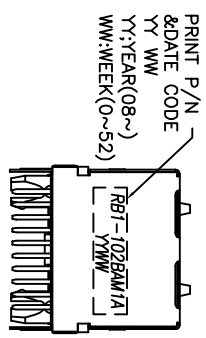
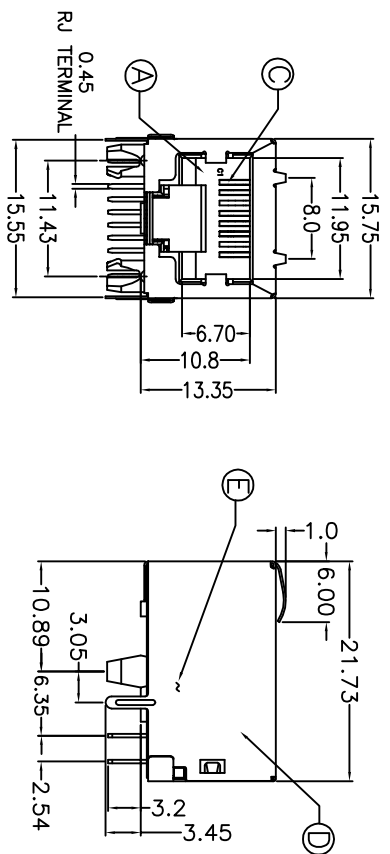
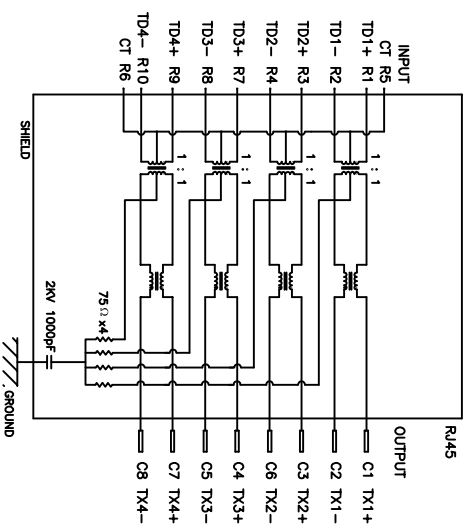


REV	ECN NO OR DESCRIPTION	REVISED	DATE
A	PDR RELEASE	AM/C	2008.12.12

- SPECIFICATIONS:**
- OTHER GENERAL SPEC. TO REFER "2TJ1516 SERIES SPEC."
 - TO CONFORM TO SINGATRON HAZARDOUS SUBSTANCE FREE SPEC.
 - GREEN PRODUCT IDENTIFICATION LABEL ON PACKAGING: **G.P. PASS**
 - FOR WAVE SOLDERING LEAD-FREE PROCESS.
 - PACKAGE : SEE "2TJ1516 SERIES" PACKAGE



RECOMMENDED PCB LAYOUT
COMPONENT SIDE
ALL DIMENSION TOLERANCE ARE ±0.05mm
UNLESS OTHERWISE SPECIFIED



PART NO.
2TJ1516-000111

PACKAGE
1: TRAY
HOUSING COLOR
1: BLACK
CONTACT PLATING
1: Au / TIN

NO	DESCRIPTION	QTY	MATERIAL	PLATING & COLOR
E	PCB	1	PCB	
D	SHELL	1	SUS304	
C	OUTPUT CONTACT	1	BRASS (C5210)	AU PLATING
B	INPUT CONTACT	1	BRASS (C2680)	TIN PLATING
A	HOUSING	1	PA6T	BLACK COLOR

UNLESS OTHERWISE SPECIFIED TOLERANCES

DECIMALS: ANGLES:

X :±0.5 X :±2
X.X :±0.3 X.X :±1'
X.XX :±0.2

TITLE	R45 With Transformer Type
DWN	AMC 2008.12.12 PART NO. 2TJ1516-000111
CHKD	AMC 2008.12.12 SCALE: N/A UNIT: mm
APVD	AMC 2008.12.12 SIZE: A3 SHEET: 1 OF 1 REV: A

CUSTOMER COPY

Singatron Enterprise Co., Ltd.
信音企業股份有限公司