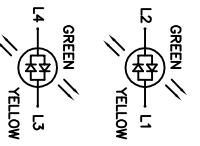
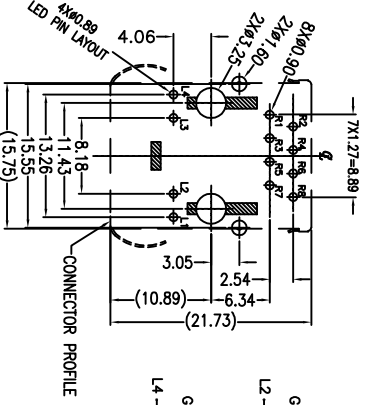
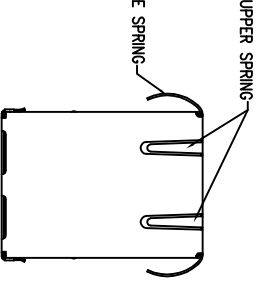
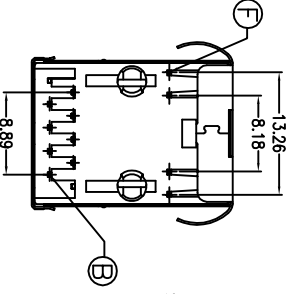
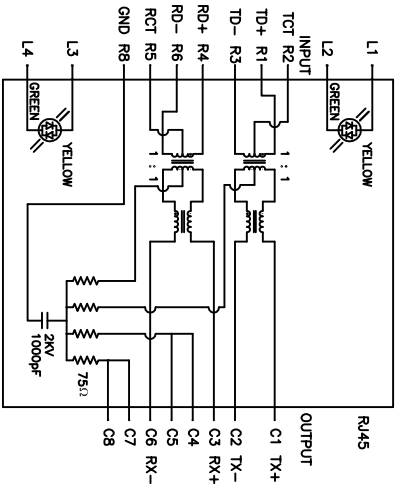
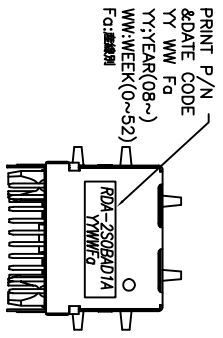
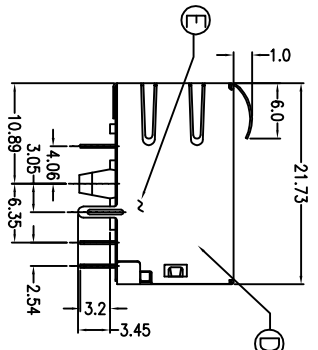
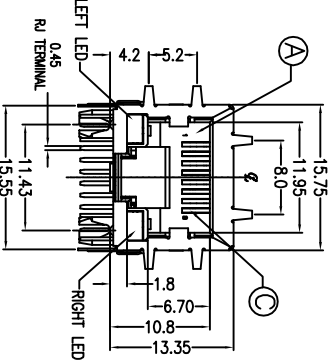


REV.	ECN NO.	OR DESCRIPTION	REVISED	DATE
A	PDR	RELEASE	AMYC	2009.01.09

- SPECIFICATIONS:
1. OTHER GENERAL SPEC. TO REFER "2TJ1524 SERIES SPEC."
 2. TO CONFORM TO SINGATRON HAZARDOUS SUBSTANCE FREE SPEC.
 3. GREEN PRODUCT IDENTIFICATION LABEL ON PACKAGING: **G.P. PASS**
 4. FOR WAVE SOLDERING LEAD-FREE PROCESS.
 5. PACKAGE : SEE "2TJ1516 SERIES" PACKAGE



RECOMMENDED PCB LAYOUT
COMPONENT SIDE
ALL DIMENSION TOLERANCE ARE ±0.05mm
UNLESS OTHERWISE SPECIFIED

PART NO. 2TJ1524-000111
PACKAGE 1: TRAY
HOUSING COLOR 1: BLACK
CONTACT PLATING 1: Au / TIN

PART NO.	Left LED	Right LED
2TJ1524-000111	-L3/+L4 GREEN	+L3/-L4 -L1/+L2 +L1/-L2 GREEN YELLOW

NO	DESCRIPTION	QTY	MATERIAL	PLATING & COLOR
F	LED	4	LED	
E	PCB	1	SUS304	
D	SHELL	1	SUS304	
C	OUTPUT CONTACT	8	BRASS (G5210)	Au PLATING
B	INPUT CONTACT	8	BRASS (C2680)	TIN PLATING
A	HOUSING	1	PA6T	BLACK COLOR

UNLESS OTHERWISE SPECIFIED TOLERANCES

DECIMALS: ANGLES:

X :±0.5 X :±2
X.X :±0.3 X.X :±1°
X.XX :±0.2

Singatron Enterprise Co., Ltd.
信音企業股份有限公司

R445 With Transformer, With LED

APVD JANSON 2009.01.09 SIZE: A3 SHEET: 1 OF 1 REV: A