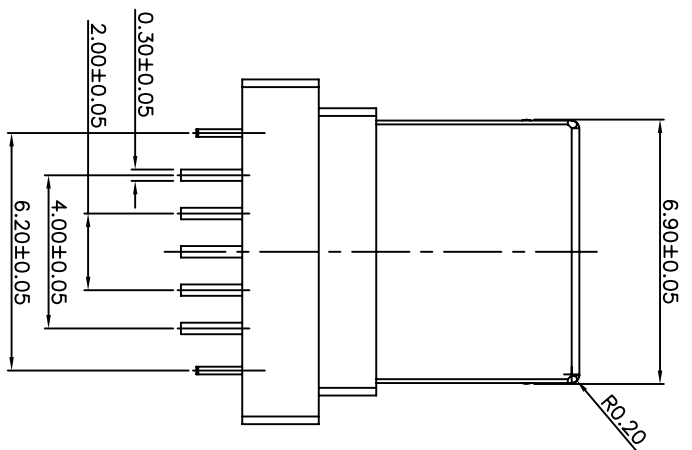
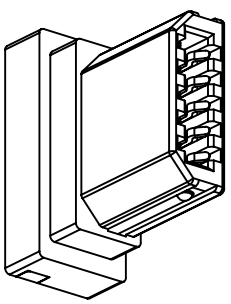
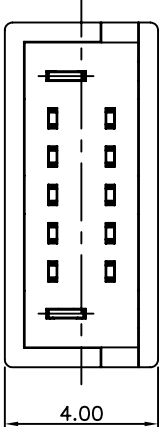
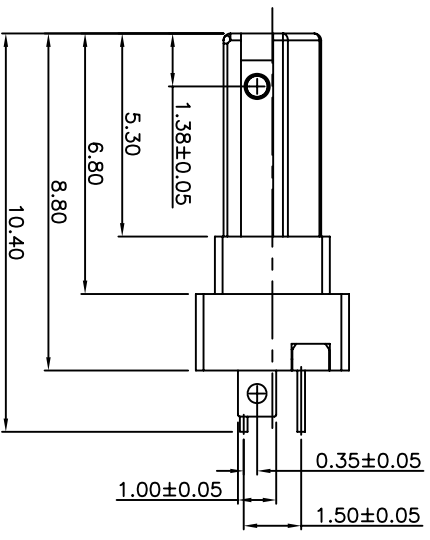
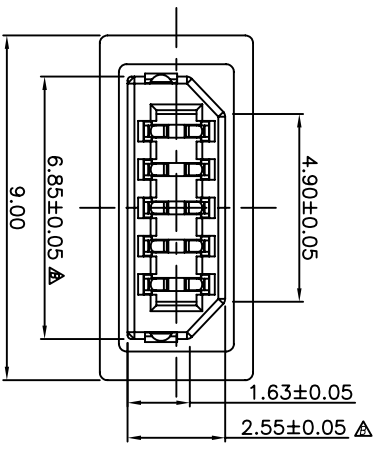


REV.	ECN NO OR DESCRIPTION	REVISED	DATE
A	FIRST EDITION RELEASED	HAHUA	7/9/07
B	修改插接板引脚大小, 增加PCB引脚距尺寸 ECN NO:CC070166-2/2	HAHUA	09/11/07
C	NOTICE增加我在PCB引脚距的描述 ECN NO:CC090015-2/2	CHARLE	01/25/08



- NOTE:
- MATING FORCE 2Kg Max.  
ΔUNMATING FORCE : INITIAL 0.8Kg Min.  
FINAL 0.2Kg Min.
  - WORKING VOLTAGE : 30V MAX.
  - TO CONFORM TO THE SINGATRON HSF SPECIFICATION.
  - GREEN PRODUCT IDENTIFICATION LABEL IN PACKING: **G.P. PASS**

3	LATCH	2	COPPER ALLOY 0.2t	Ni100u"
2	CONTACT	10	COPPER ALLOY 0.2t	Ni50u"/Au1u"
1	BODY	1	PA9T	BLACK
NO	DESCRIPTION	QTY	MATERIAL	PLATING&COLOR

UNLESS OTHERWISE SPECIFIED TOLERANCES

Singatron Electronic(Chung-Shan) Co., Ltd.  
信音電子(中山)有限公司

DECIMALS:	ANGLES:	TITEL	10PIN MMI PLUG
X :±0.5	X :±2°	DRAW	CHARLE
XX :±0.3	X.X :±1°	CHKD	MOTION
XXX :±0.2		APVD	SEN
			01/25/08

PART NO.	2UP2001-10P112
SCALE:	N/A
UNIT:	mm
SIZE:	A4
SHEET:	10F1
REV:	C

CUSTOMER COPY