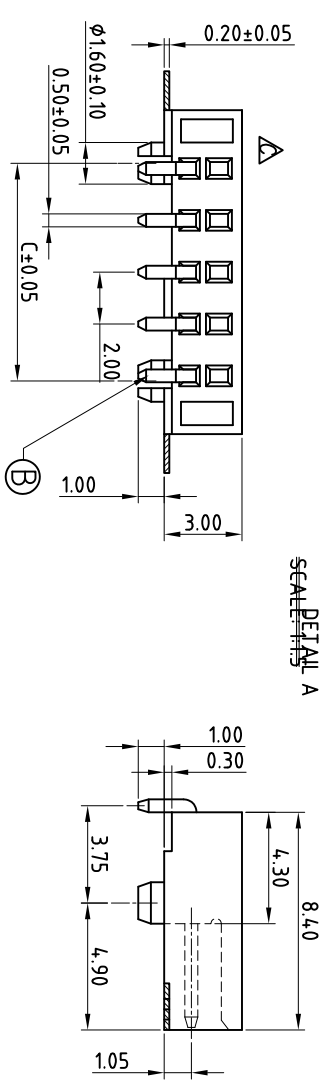
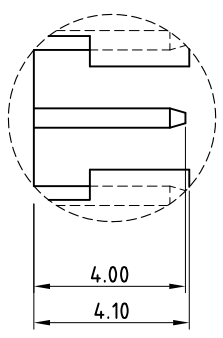
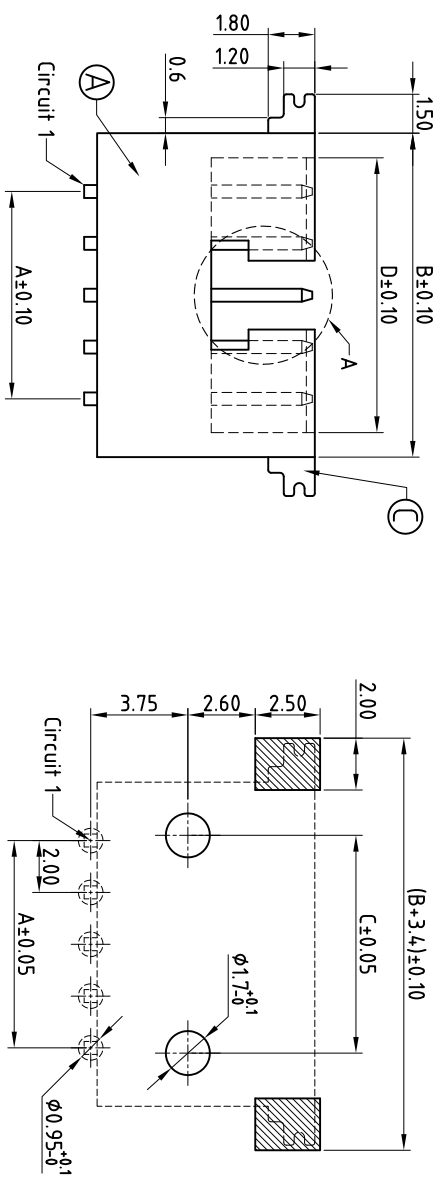


REV	ECN NO	OR DESCRIPTION	REVISED	DATE
A	PDR NO. T090826-2A	SERFAS APPROVAL	IRENE	2009.10.07
B	ECN NO:110031	2WAI554-004111-2WAI554-00X111	IVY-C	2011.03.30
C	ECN NO:1110038	ADD 2WAI554-005111	IVY-C	2011.04.29

- SPECIFICATIONS:**
1. SEE: "2.0 PITCH WIRE SERIES SPEC"
 2. TO CONFORM TO SINGATRON HAZARDOUS SUBSTANCE FREE SPEC.
 3. PACKAGE : SEE "2WAI554-00X111" PACKAGE.
 4. HALOGEN FREE PRODUCT IDENTIFICATION LABEL ON PACKAGING.
 5. FOR REFLOW SOLDERING LEAD-FREE PROCESS.



PART NO.
2WAI554-00X111

PACKAGE
1: TAPE & REEL
HOUSING COLOR
1: BLACK
CONTACT PLATING
1: GOLD FLASH
CONTACT Circuits
SEE "TABLE 1"

TABLE 1"

PRAT NO.	Circuite	DIM:(mm)			
		A	B	C	D
2WAI554-004111	4	6.00	10.5	6.4	8.6
2WAI554-005111	5	8.00	12.5	8.4	10.6
2WAI554-007111	7	12.00	16.5	12.4	14.6

NO	DESCRIPTION	QTY	MATERIAL	PLATING & COLOR
C	Solder Tab	1	BRASS	MATT TIN PLATING
B	Contact Pin	*	BRASS	GOLD FLASH
A	HOUSING	1	PA9T UL 94V-0	BLACK COLOR
NO	DESCRIPTION	QTY	MATERIAL	PLATING & COLOR

UNLESS OTHERWISE SPECIFIED TOLERANCES

DECIMALS: ANGLES:

X : ±0.5 X : ±2°
 XX : ±0.3 XX : ±1°
 XXX : ±0.2

Singatron Enterprise Co., Ltd.
 信音企業股份有限公司

TITLE 2.00mm PITCH WIRE TO BOARD CONNECTOR 90° DIP
 DWN IN-C 2011.04.29 PART NO. 2WAI554-00X111
 CHKD IN-H 2011.04.29 SCALE: N/A UNIT: mm
 APVD IN-H 2011.04.29 SIZE: A3 SHEET: 1 OF 1 REV: C

CUSTOMER COPY